

**National Exams May 2015**  
**07-Elec-B7, Power Systems Engineering**  
**Open Book examination**

**Front Page**

3 hours duration

**NOTES**

1. If doubt exists as to the interpretation of any question, the candidate is urged to submit, with the answer paper, a clear statement of any assumptions made.
2. Any non-communicating calculator is permitted. This is an Open Book examination. Note to the candidates: you must indicate the type of calculator being used, i.e. write the name and model designation of the calculator on the first inside left hand sheet of the exam work book.
3. Any five questions constitute a complete paper. Only the first five questions as they appear in your answer book will be marked.
4. All questions are of equal value.

### Problem 1

- a- Explain the meaning of the term "Ferranti effect in transmission lines" and why is it important in power system operations. [5 Points]

Consider a 250 km, 138-kV three phase line with series impedance  $z=0.15 +j0.7 \Omega/\text{km}$  and shunt admittance  $y=j5.0 \times 10^{-6} \text{ mho}/\text{km}$ .

- b- Find the characteristic impedance  $Z_c$ , the propagation constant  $\gamma$ , the attenuation constant  $\alpha$ , and the phase constant  $\beta$ . [10 Points]
- c- Assume that the line delivers 15 MW at 132 kV at 0.85 power factor lagging. Use the long line model to determine the sending end voltage and current, power factor, and transmission efficiency. [10 Points]

### Problem 2

- a- Explain the meaning of the terms over-excited and under-excited with respect to synchronous machines, and explain how a synchronous machine can be operated to appear as a source of reactive power. [5 points]

The reactances  $X_d$  and  $X_q$  of a salient-pole synchronous generator are 1 and 0.6 per unit respectively.

- b- Neglecting armature resistance, find the generated voltage in per unit when the generator delivers its rated kVA at 0.8 lagging power factor and rated terminal voltage. [10 Points]
- c- Repeat Part b for 0.8 power factor leading [10 Points]

### Problem 3

- a- Explain the effects of frequency on different types of losses in an electric transformer. [5 Points]

A 230-V: 6.6 kV, **50 Hz**, 45 kVA, transformer has a magnetizing reactance (measured from the 230-V) terminals of  $46.2 \Omega$ . The 230-V winding has a leakage reactance of  $27.8 \text{ m}\Omega$  and the 6.6 kV winding has a leakage reactance of  $25.3 \Omega$ . The transformer is to be used on a **60 Hz** system. [10 Points]

- b- Calculate the magnetizing reactance referred to the low voltage winding and the leakage reactance of each winding. [10 Points]
- c- With 240 V applied to the low voltage (primary) winding and with the secondary winding open circuited, calculate the primary winding current and the secondary winding.

**Problem 4**

- a- List the advantages and disadvantages of using shunt capacitors on electric power transmission lines.

For the two bus system shown in Figure (1,) bus 1 is the reference (slack) bus with  $|V_1| = 1.00$  and  $\delta_1 = 0.0^\circ$ . At bus 2, the active load is 4.3 p.u. and the reactive load is -0.636 p.u. and the line admittance is  $y_{12} = 1 - j10$  as shown in the figure. The voltage at bus 2 is to be maintained between 0.95 and 1.05 p.u.

- b- Determine if the capacitor bank should be switched on or off. [5 points]  
 c- Find the voltage  $|V_2|$  under the appropriate conditions established in part (a.) The susceptance of the capacitor is 0.83 p.u. [5 points]  
 d- Find the angle  $\delta_2$  corresponding to the conditions of part (b.) [5 points]  
 e- Find the active and reactive power generation and power factor at bus 1 corresponding to the conditions of part (b.) [5 points]

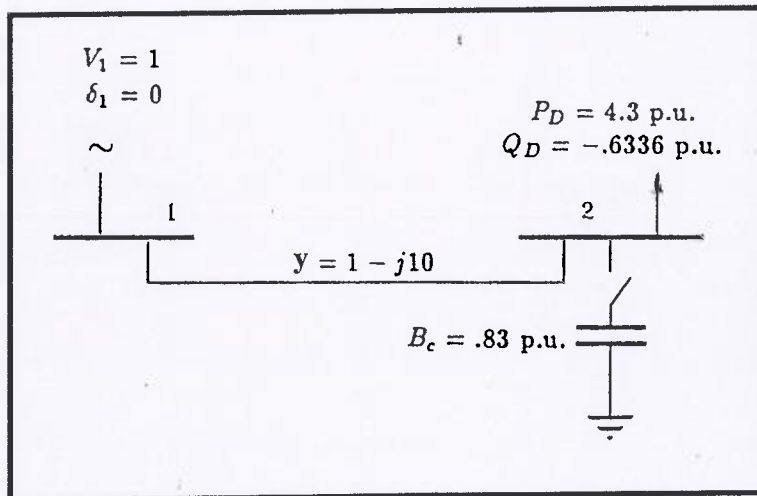


Figure (1) One-line Diagram for Problem 4

**Problem 5**

a- Discuss the consequences of short circuit faults on electric power systems. [5 Points]

Consider the system shown in the single-line diagram of Figure (2). All reactances are shown in per unit to the same base. Assume that the voltage at both sources is 1 p.u.

b- Find the fault current due to a bolted- three-phase short circuit at bus 4. [10 Points]

c- Find the voltages at buses 1 and 2 under the fault conditions of part b above. [10 Points]

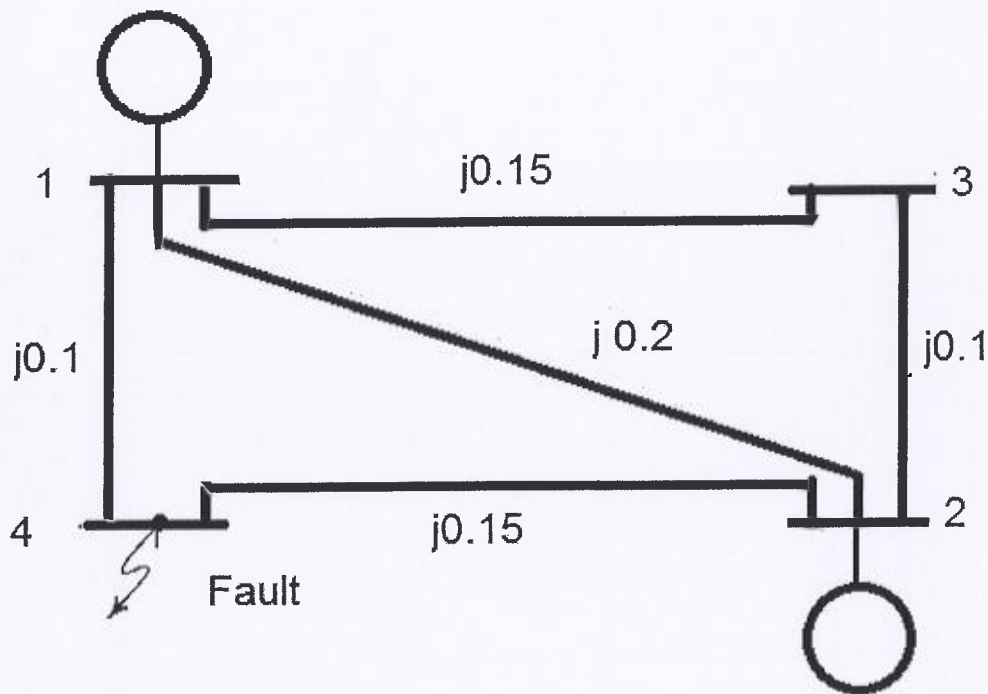


Figure (2) Single-line diagram for Problem 5

**Problem 6**

A 25 MVVA, 11kV, three phase generator has a subtransient reactance of 20%. The generator supplies two motors over a transmission line with transformers at both ends as shown in the one line diagram of Fig. (3-a) The rated inputs of the motors are 15 and 7.5 MVA at 10 kV with 25% subtransient reactance. The three phase transformers are both rated at 30 MVA, 10.8/121 kV, delta/Y with leakage reactance of 10% each. The series reactance of the line is  $100\Omega$ . Assume zero sequence reactances for the generator and motors of 0.06 per unit. Current limiting reactors of  $2.5\Omega$  each are connected in the neutral of the generator and motor no. 2. The zero sequence reactance of the transmission line is  $300\Omega$

a- Using a base of 25MVA, 11 kV on the generator side, verify that the sequence networks of the system are as shown in Fig. (3-b) and (3-c) [10 points]

b- A double line to ground fault occurs at point f , determine the fault current at point g. [15 points]

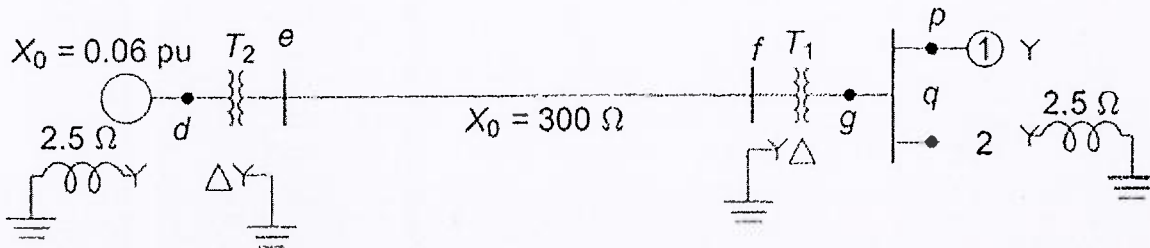


Figure (3-a) Single line diagram for Problem 6

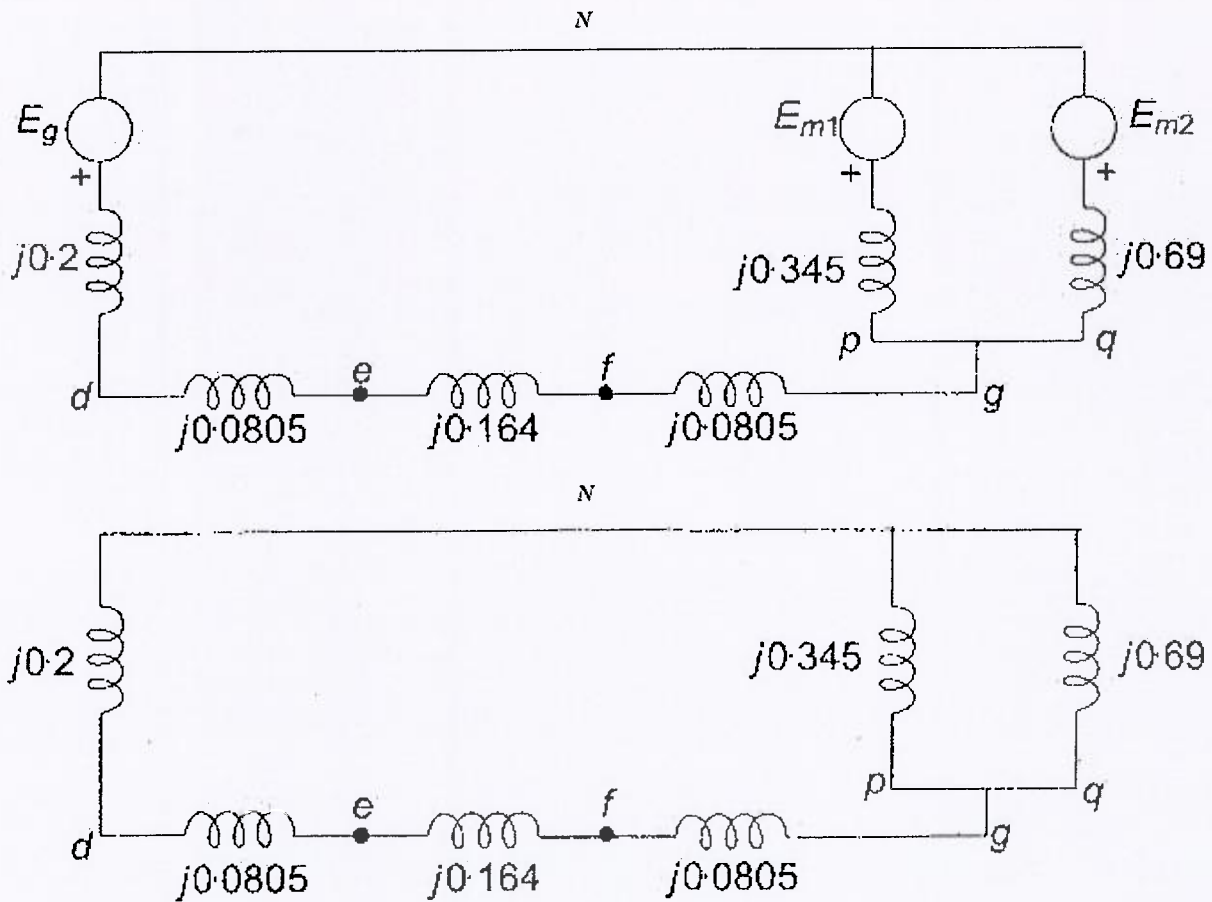


Figure (3-b) Positive and negative sequence equivalent circuits for system of problem

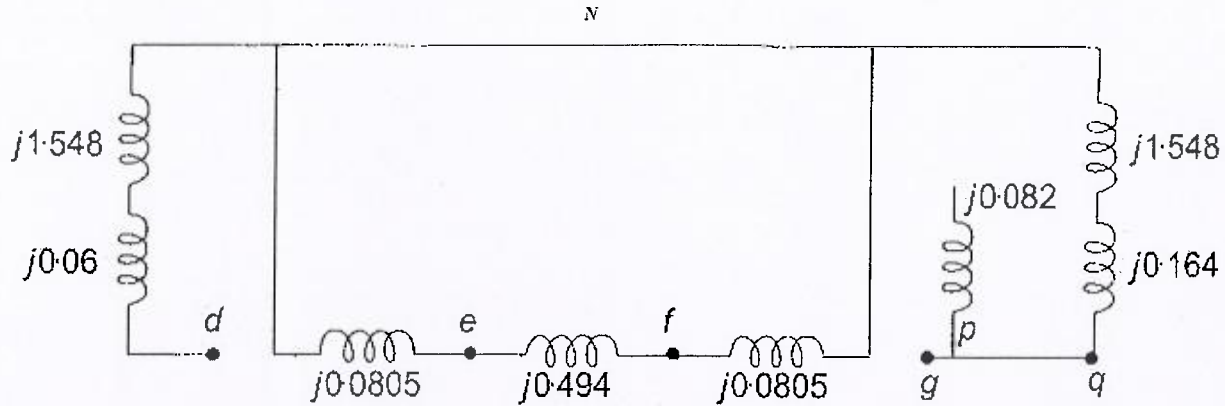


Figure (3-c) Zero sequence equivalent circuit for system of problem

**Problem 7**

Consider the circuit shown in Figure (4.) Assume that  $E = 1.2$  p.u. and  $V = 1.00$  p.u. where a three-phase fault takes place at the point F as shown. The fault is cleared by opening the faulted line.

- a Find the initial power angle  $\delta$  when the active component of the load on the circuit is 1 p.u. [5 points]
- b Find the power angle curve, during the fault. [5 points]
- c Find the post fault power angle curve. [5 points]
- d Determine the critical clearing angle [10 points]

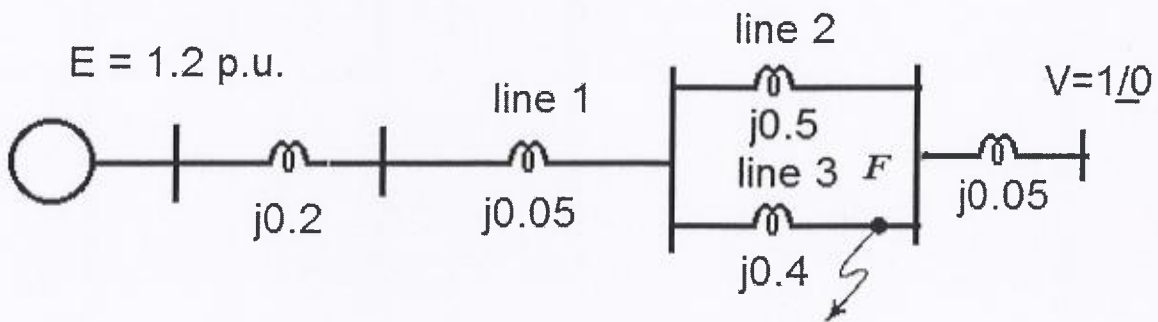


Figure (4) Circuit for Problem (7)