

**NATIONAL EXAMINATIONS**

**May 2016**

**07-MEC-B3 ENERGY CONVERSION AND POWER GENERATION**

**Three hours duration**

---

**Notes to Candidates**

1. This is a **Closed Book** examination.
2. Examination paper consists of two Sections. **Section A is Calculative** with four (4) questions and **Section B is Descriptive** with two (2) questions.
3. Note that Question 2 is on two pages.
4. **Do three (3) questions (including all parts of each question) from Section A (Calculative) and one (1) question from Section B (Descriptive).**
5. **Four questions constitute a complete paper.** (Total 60 marks).
6. **All questions are of equal value.** (Each 15 marks).
7. If doubt exists as to the interpretation of any question or in the event of missing data, the candidate is urged to submit, with the answer paper, a clear statement of any assumptions made.
8. If any initial parts of a multi-part question cannot be solved the remaining parts may be worked by making appropriate assumptions for the first parts from the technical data given.
9. **Read the entire question before commencing the calculations** and take note of any hints or recommendations given.
10. Candidates may use one of the approved **Casio** or **Sharp** calculators.
11. **Reference data** for particular questions are given on pages 9 to 12. **All pages used are to be returned with the answer booklet showing where data has been obtained.**
12. **Reference formulae and constants** are given on pages 13 to 16.
13. **Steam Tables** from "Thermodynamics and Heat Power" are provided.

**SECTION A CALCULATIVE QUESTIONS**

*Show all steps in the calculations and state the units for all intermediate and final answers.*

**QUESTION 1 INDUSTRIAL GAS TURBINE**

An industrial gas turbine producing electrical power has the following technical specifications:

Rotational speed	3600 rev/min.
Pressure ratio	12
Number of compressor stages	17
Number of turbine stages	5
Compressor efficiency	0.85
Turbine efficiency	0.90
Generator efficiency	0.98
Gas mass flow rate	290 kg/s
Fuel mass flow rate	6 kg/s
Calorific value of fuel	40 000 kJ/kg

Assume that air enters at 100 kPa and 20°C and that the specific heats of air  $c_p$  and  $c_v$  are respectively 1.005 kJ/kg°C and 0.718 kJ/kg°C and are assumed constant throughout the cycle.

- (a) Sketch a T-s diagram for the gas turbine and label key points by number.
- (b) Calculate the following for the gas turbine:
- Temperatures at key points in the cycle (compressor and turbine inlets and outlets)
  - Thermodynamic cycle efficiency
  - Electrical power output
- (c) Explain, using the T-s diagram, how a deterioration in the compressor and turbine efficiency would affect the following, assuming all other parameters remain the same. Indicate on the sketch with an appropriate slope how significant the effect would be.
- Turbine inlet and exhaust temperatures
  - Electrical power output

[15 marks]

**QUESTION 2 HYDRO POWER PLANTS****PART I VAN DER KLOOF HYDRO POWER STATION**

Refer to the Examination Paper Attachments Page 9 **Van der Kloof Hydro Power Station**. This shows a cross-sectional drawing of the plant close to the main wall of the dam. It has the following design parameters:

Reservoir water level	1170.5 m	(point 1)
Turbine inlet elevation	1091.5 m	(point 2)
Turbine outlet elevation	1086.5 m	(point 3)
Tailrace water level	1094.7 m	(point 4)
Penstock (inlet) diameter	7.0 m	(point 2)
Draft Tube (outlet) diameter	5.0 m	(point 3)
Turbine inlet pressure	700 kPa gauge	(point 2)
Turbine outlet pressure	65 kPa gauge	(point 3)
Water volume flow rate	200 m <sup>3</sup> /s	

Calculate the following:

- (a) (i) The water velocity at the turbine inlet (point 2) and at the turbine outlet (point 3).
- (ii) The head loss in the intake pipe (penstock) (between point 1 and point 2) and in the outlet pipe (draft tube) and tailrace (between point 3 and point 4).

(5)

- (b) (i) The potential power output of the whole plant based on elevation difference (between point 1 and point 4) and flow.
- (ii) The hydraulic power developed in the turbine based on inlet and outlet conditions (between point 2 and point 3) assuming no losses within the turbine.

(5)

( 10 marks )

*This question is continued on the next page .....*

**Question 2 Continued**

## PART II MACTAQUAC EFFICIENCY

Hydro turbines of the Kaplan type are installed at Mactaquac on the Saint John River in New Brunswick. In order to determine the efficiency of the Mactaquac turbines the following hypothetical measurements are considered:

Turbine-Generator speed	112.5 rev/min
Generator electrical output	110 MW
Water flow rate	354 m <sup>3</sup> /s
Inlet pipe diameter	6.4 m
Outlet pipe diameter	7.0 m
Inlet water pressure	226 kPa gauge
Outlet water pressure	-4.5 m H <sub>2</sub> O

The elevation of the outlet pressure measuring point is 5.0 m below that of the inlet pressure measuring point.

Determine the efficiency of the turbine.

( 5 marks )

[ 15 marks ]

**QUESTION 3 STEAM PLANT TURBOMACHINERY****PART I TURBINE EXPANSION LINE**

Refer to the Examination Paper Attachments Page 10 **Mollier Diagram**.

Dry saturated steam is supplied to the high pressure turbine in a nuclear plant at 6 MPa. Under part load conditions this is throttled by a control valve to 3 MPa before entering the turbine. It then expands in the turbine to a pressure of 0.6 MPa before reheating. The steam temperature after reheating is 255°C and it then expands in the low pressure turbine to 0.004 MPa. Under these conditions the steam flow through the high pressure turbine is 600 kg/s and through the low pressure turbine 500 kg/s. Assuming a turbine internal efficiency of 80% for both the high pressure and low pressure turbines, plot the throttling and actual and ideal expansion processes on the attached Mollier Diagram and determine the power output. Label all points and determine the terminal conditions as defined below. Steam Tables may be used to verify values or to obtain better accuracy.

- (a) Plotting of processes on Mollier Diagram with key points identified and determination of enthalpies at those points. (5)
- (b) Terminal conditions (temperature and moisture) of the steam at the following points:
- inlet of the high pressure turbine
  - exit of the high pressure turbine
  - exit of the low pressure turbine. (3)
- (c) Power output of the whole turbine under the given conditions. (2)

Write the answers in the examination booklet.

(10 marks)

**PART II FEEDWATER PUMP EFFICIENCY**

A large boiler feedwater pump receives feedwater at 2.5 MPa and delivers it at 20 MPa. The flow rate is approximately 250 kg/s but cannot be measured accurately. Under test conditions the pressures were maintained as specified and the inlet and outlet temperatures measured as 210.0°C and 214.3°C respectively. Calculate the internal efficiency of the pump. Use Steam Tables.

(5 marks)

[15 marks]

**QUESTION 4 BELLEDUNE HEAT BALANCE DIAGRAM**

Refer to the Examination Paper Attachments Page 11 **Heat Balance Diagram for Belledune Generating Station.**

At the rated electrical output of 430 MW determine the following:

- (a) Steam cycle efficiency based on boiler heat input and electrical output. (3)
- (b) Shaft power output of high pressure turbine. (4)
- (c) Steam power input to boiler feed water pump turbine based on steam conditions. (2)
- (d) Shaft power input to boiler feedwater pump based on enthalpy rise ( $\Delta h$ ) in the pump. (2)
- (e) Hydraulic power output of the boiler feedwater pump based on pressure rise in the pump (PD is Pump Discharge Pressure). The density of water at the pump is  $912 \text{ kg/m}^3$ . (3)
- (f) Feedwater pump efficiency. (1)

[ 15 marks ]

## SECTION B DESCRIPTIVE QUESTIONS

*Descriptive questions should be answered in essay form, with sketches if appropriate, and taking approximately one full page for every 5 marks. A full page means approximately 250 words unless diagrams take the place of some words.*

### QUESTION 5 COAL FIRED BOILER

Refer to the Examination Paper Attachments Page 12 **Coal Fired Boiler**. *Return this page with your Examination Booklet.*

(a) Identify on this diagram the following components:

- Furnace
- Boiler Drum
- Economiser
- Reheater
- Primary Superheater
- Secondary Superheater

(3)

(b) Clarify the type of combustion system used and explain how the fuel is prepared and conveyed to the combustion space.

(4)

(c) Explain where and how the resultant ash is collected and in what form it is.

(3)

(d) Clarify which parts receive heat by radiation and which parts by convection.

(1)

(e) Explain the purpose of the economiser, reheater and superheaters and explain why they are located in their respective locations.

(4)

[15 marks]

## QUESTION 6 SOLAR ENERGY

*In this question more emphasis may be put on any part and the mark allocation will be adjusted accordingly for a total of 15 marks (approximately 750 words in total for the three parts).*

- (a) Describe the configuration and operation of either (one only) of the following types of solar-thermal electrical generating systems.

- Central-receiver system with heliostats
- Distributed system with trough concentrators

Clarify in a sketch how the heat from the sun is concentrated and transferred to the working fluid. Show also, in a flow diagram of the system, where heat is received and rejected and where power is produced. Give an indication of the overall efficiency of the whole system when receiving optimal solar radiation.

(5)

- (b) Describe the configuration of a typical photovoltaic electrical generating system and explain the basic principles of energy conversion in solar cells. Clarify how sufficiently high voltages and power for grid system requirements can be obtained from such small cells. Give an indication of the overall efficiency of the whole system when receiving optimal solar radiation.

(5)

- (c) Compare the overall energy conversion efficiencies (solar energy to electricity) of the two systems in (a) and (b) above and comment on any advantages or disadvantages of one system over the other. Give the anticipated maximum solar radiation intensity on the earth's surface in  $\text{W/m}^2$  and estimate, allowing for structural constraints and the sun's inclination, the land area required for a large generating plant of 1000 MW electrical output.

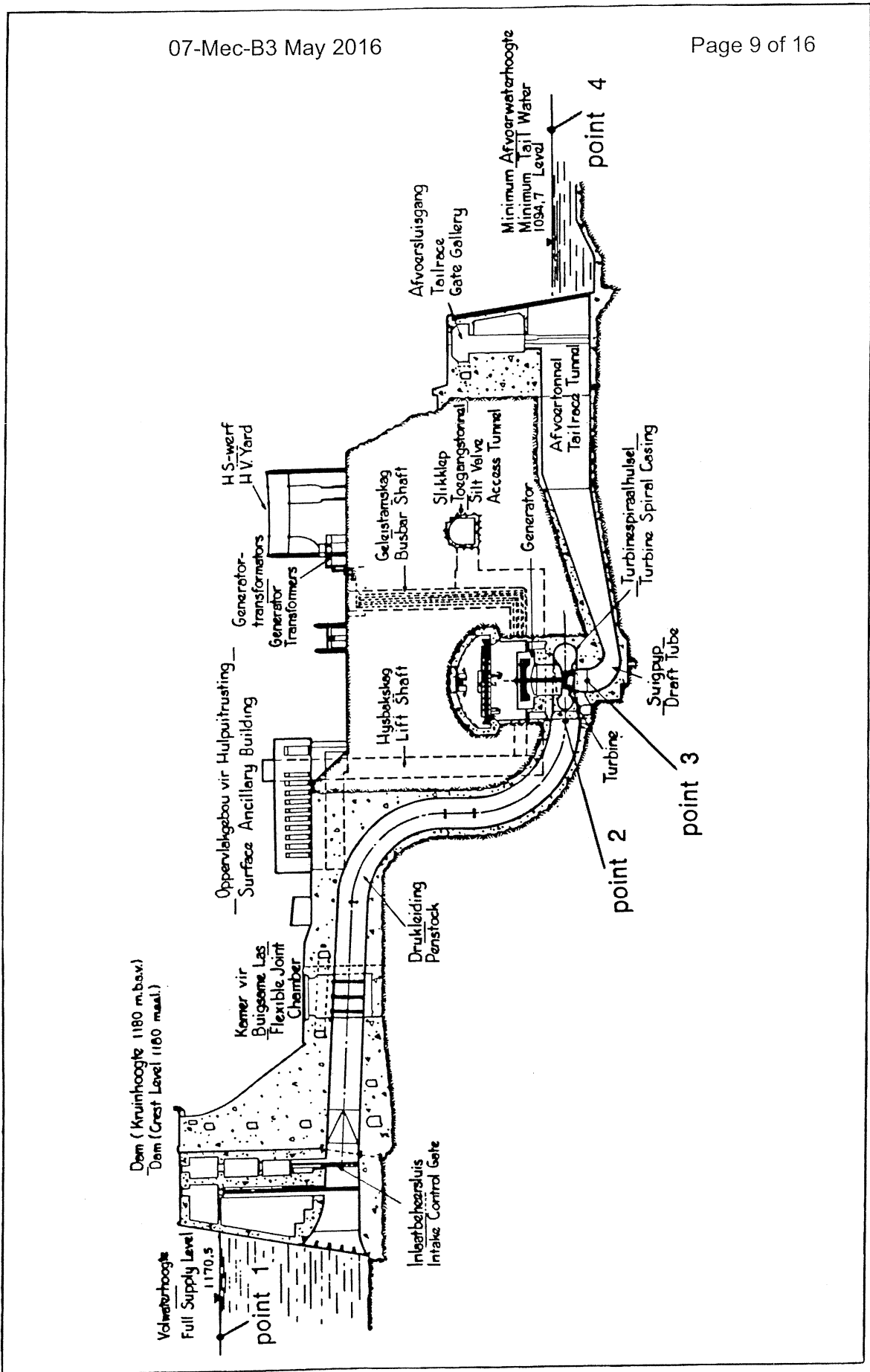
(5)

[15 marks]



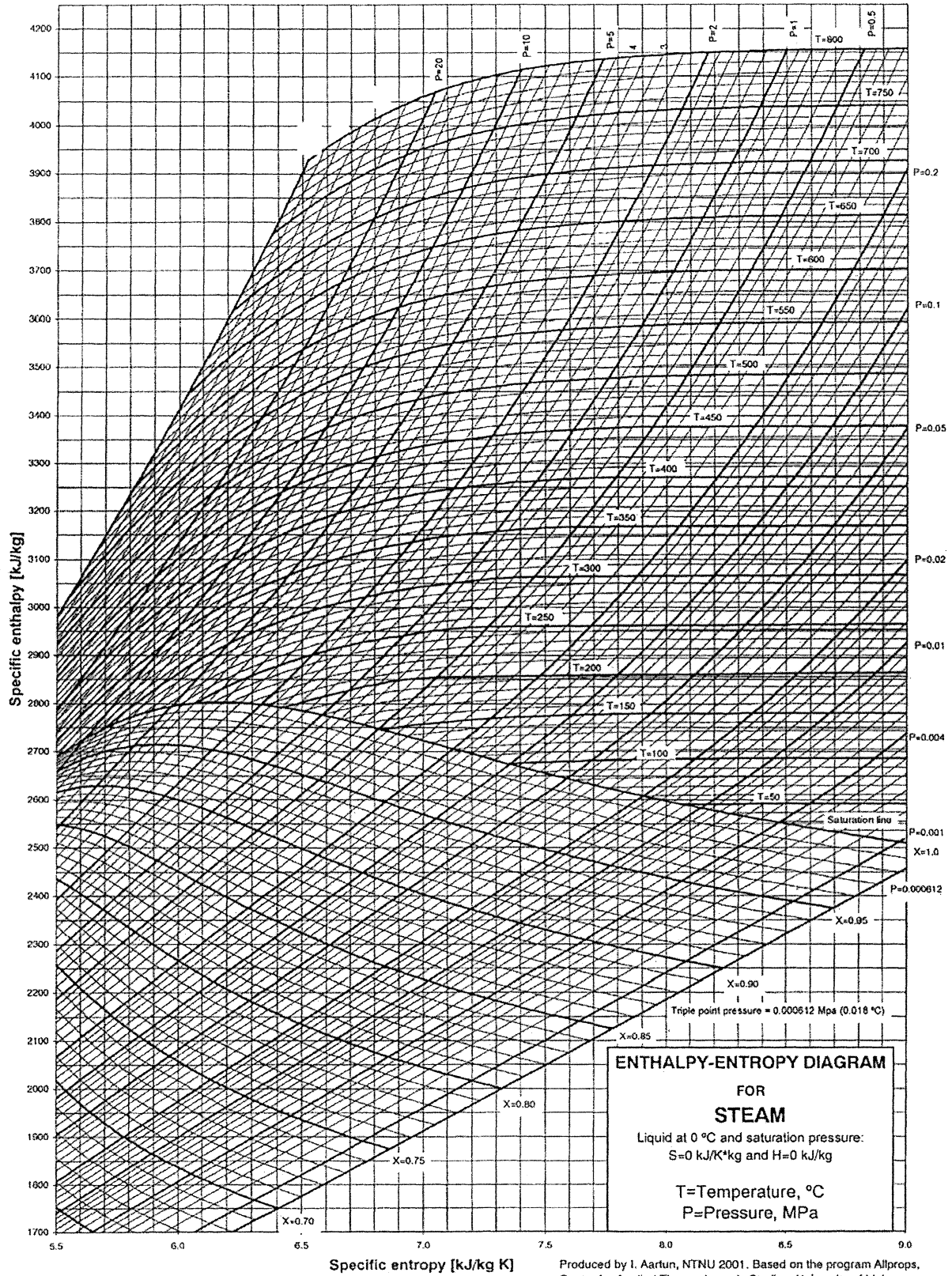
QUESTION 2 PART 1 VANDERKLOOF HYDRO POWER STATION

Cross-section through Power Station Waterways/Dwarsdeursnit van Kragstasie-Afvoerkanaal

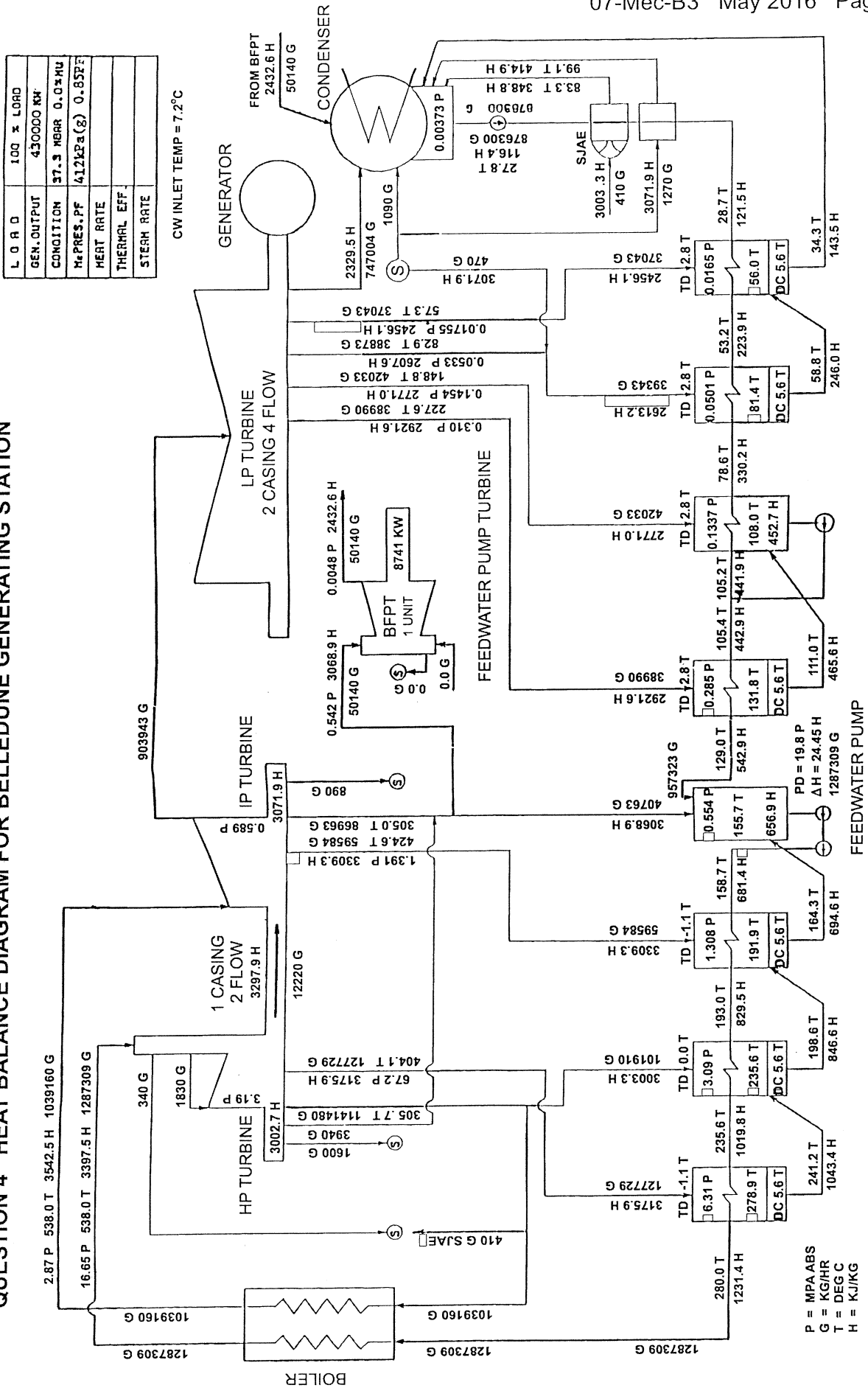


QUESTION 3 MOLLIER DIAGRAM

NAME .....



QUESTION 4 HEAT BALANCE DIAGRAM FOR BELLEDUNE GENERATING STATION



L O A D	100 % LOAD
GEN. OUTPUT	430000 KW
CONDITION	37.3 MBRR 0.0xMU
MePRES.PF	412kPa(g) 0.83PF
HEAT RATE	
THERMAL EFF.	
STEAM RATE	

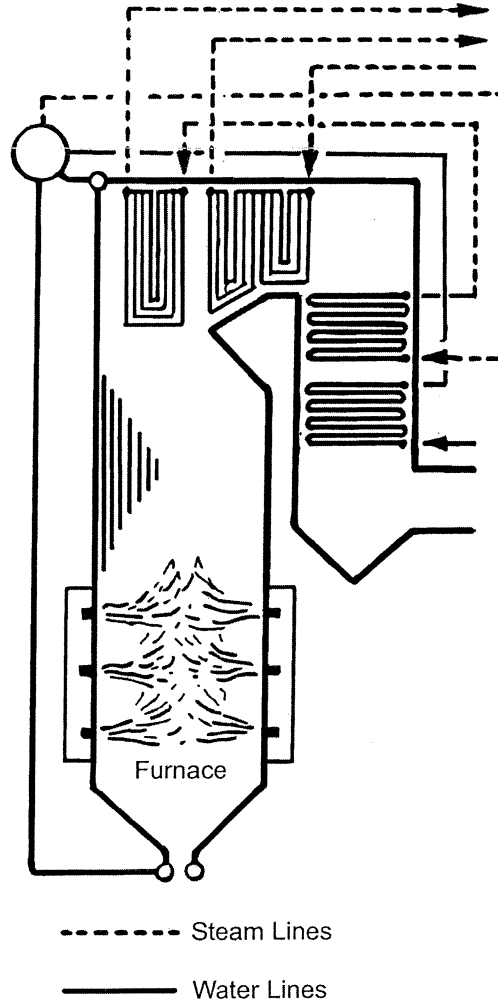
CW INLET TEMP = 7.2°C

P = MPA ABS  
 G = KG/HR  
 T = DEG C  
 H = KJ/KG

APPROVED BY: <i>[Signature]</i>	MESSRS. BELLEDUNE GENERATING STATION UNIT 3000A, 3000B, 3000C, CANADA (BOONWA GEN.)	430000 KW REHEAT TURBINE
ED BY: <i>[Signature]</i>		HEAT BALANCE DIAGRAM
CHECKED BY: <i>[Signature]</i>		
DESIGN BY: <i>[Signature]</i>	TOSHIBA CORPORATION	3K3001731

NAME .....

QUESTION 5 COAL FIRED BOILER



TYPICAL BOILER HEAT ABSORPTION COMPONENTS

**NOMENCLATURE FOR REFERENCE EQUATIONS (SI UNITS)**

A	Flow area, Surface area	$m^2$
$c_p$	Specific heat at constant pressure	$J/kg^\circ C$
$c_v$	Specific heat at constant volume	$J/kg^\circ C$
D	Diameter	m
E	Energy	J
g	Gravitational acceleration	$m/s^2$
h	Specific enthalpy	$J/kg$
k	Ratio of specific heats	
L	Length	m
m	Fractional mass flow rate	
m	Mass	kg
M	Mass flow rate	kg/s
p	Pressure	Pa ( $N/m^2$ )
q	Heat transferred	$J/kg$
Q	Heat	J
Q	Volume flow rate	$m^3/s$
R	Specific gas constant	$J/kg K$
s	Entropy	$J/kg K$
T	Temperature	K
u	Specific internal energy	$J/kg$
U	Overall heat transfer coefficient	$W/m^2^\circ C$ ( $J/sm^2^\circ C$ )
v	Specific volume	$m^3/kg$
V	Velocity	$m/s$
w	Specific work	$J/kg$
W	Work	J
x	Length	m
z	Elevation	m
$\eta$	Efficiency	.
$\theta$	Nozzle angle	.
$\theta$	Temperature difference between fluids	$^\circ C$
$\mu$	Dynamic viscosity	$Ns/m^2$
$\nu$	Kinematic viscosity	$m^2/s$
$\rho$	Density	$kg/m^3$
$\tau$	Thrust	N
$\Omega$	Heat transfer rate	$J/s$

**GENERAL CONSTANTS**

Acceleration due to gravity:  $g = 9.81 \text{ m/s}^2$   
 Atmospheric pressure:  $p_{\text{atm}} = 100 \text{ kPa}$   
 Density of water:  $\rho_{\text{water}} = 1000 \text{ kg/m}^3$   
 Specific heat of water:  $c_p = 4.190 \text{ kJ/kg}^\circ\text{C}$   
 Specific heat of air:  $c_p = 1.005 \text{ kJ/kg}^\circ\text{C}$   
 Specific heat of air:  $c_v = 0.718 \text{ kJ/kg}^\circ\text{C}$   
 Specific heat of helium:  $c_p = 5.193 \text{ kJ/kg}^\circ\text{C}$   
 Specific heat of helium:  $c_v = 3.117 \text{ kJ/kg}^\circ\text{C}$

**THERMODYNAMICS REFERENCE EQUATIONS****Basic Thermodynamics**

First Law:	$dE = \delta Q - \delta W$
Enthalpy:	$h = u + pv$
Continuity:	$\rho VA = \text{constant}$
Flow Work:	$w = \Delta(pv)$
Energy Equation:	$zg + V^2/2 + u + pv + \Delta w + \Delta q = \text{constant}$
Entropy:	$\Delta s = \sum \delta q / T$ (reversible conditions)

**Ideal Gas Relationships**

Gas Law:	$pv = RT$
Specific Heat at Constant Pressure:	$c_p = \Delta h / \Delta T$
Specific Heat at Constant Volume:	$c_v = \Delta u / \Delta T$
Gas Constant:	$R = c_p - c_v$
Specific Heat Ratio:	$k = c_p / c_v$
Isentropic Relations:	$p_1/p_2 = (v_2/v_1)^k = (T_1/T_2)^{k/(k-1)}$

## FLUID MECHANICS REFERENCE EQUATIONS

### Fluid Mechanics

Continuity Equation:  $\rho_1 V_1 A_1 = \rho_2 V_2 A_2 = M$   
 Bernoulli's Equation:  $p_1/\rho g + z_1 + V_1^2/2g = p_2/\rho g + z_2 + V_2^2/2g$   
 Momentum Equation:  $F = p_1 A_1 - p_2 A_2 - \rho V A (V_2 - V_1)$  (one dimensional)

### Steam Turbines

Nozzle Equation:  $h_1 - h_2 = (V_2^2 - V_1^2) / 2$   
 Work:  $w = [(V_{1\text{ absolute}}^2 - V_{2\text{ absolute}}^2) + (V_{2\text{ relative}}^2 - V_{1\text{ relative}}^2)] / 2$

### Gas Turbines

State Equation:  $p v = R T$   
 Isentropic Equation:  $(T_2/T_1) = (p_2/p_1)^{(k-1)/k}$   
 Enthalpy Change:  $h_1 - h_2 = c_p (T_1 - T_2)$  (ideal gas)  
 Nozzle Equation:  $h_1 - h_2 = (V_2^2 - V_1^2) / 2$

### Jet Propulsion

Thrust:  $T = M(V_{\text{jet}} - V_{\text{aircraft}})$   
 Thrust:  $T = M(V_{\text{jet}} - V_{\text{in}})$  (for stationary aircraft)  
 Thrust Power:  $T V_{\text{aircraft}} = M(V_{\text{jet}} - V_{\text{aircraft}}) V_{\text{aircraft}}$   
 Jet Power:  $P = M(V_{\text{jet}}^2 - V_{\text{aircraft}}^2) / 2$   
 Propulsion Efficiency:  $\eta_p = 2V_{\text{aircraft}} / (V_{\text{jet}} + V_{\text{aircraft}})$

### Wind Turbine

Maximum Ideal Power:  $P_{\text{max}} = 8 \rho A V_1^3 / 27$

**HEAT EXCHANGER REFERENCE EQUATIONS**

Heat transferred between fluids

$$\Omega = U A \theta$$

Heat gained or lost by fluids

$$\Omega = M \Delta h$$

$$\Omega = M c_p \Delta T$$

$$\Omega = \rho Q \Delta T$$

**NUCLEAR REFERENCE EQUATIONS**

Number of nuclei per gram of material

$$N = N_A / M$$

Number of fissile nuclei per cm<sup>3</sup> of material

$$N_f = \gamma (N_A / M) \rho$$

Heat release rate in nuclear fuel

$$q^* = \phi N_f \sigma_f E_f$$

Nomenclature

N	=	number of nuclei (number/g)
N <sub>A</sub>	=	Avogadro's Number
M	=	molecular weight
γ	=	fuel enrichment
ρ	=	density (g/cm <sup>3</sup> )
q*	=	heat release rate (J/cm <sup>3</sup> )
φ	=	neutron flux (neutrons/cm <sup>2</sup> s)
N <sub>f</sub>	=	number of fissile nuclei (number/cm <sup>3</sup> )
σ <sub>f</sub>	=	cross section (barn) (1 barn = 10 <sup>-24</sup> cm <sup>2</sup> )
E <sub>f</sub>	=	energy release per fission of one atom

Avogadro's Number

$$N_A = 0.602 \times 10^{24} \text{ atoms/mole}$$



# Thermodynamics and Heat Power

---

SIXTH EDITION

---

**Irving Granet, P.E.**

*late, Queensborough Community College of City University of New York*

**Maurice Bluestein, Ph.D.**

*Indiana University—Purdue University, Indianapolis*

PRENTICE HALL

*Upper Saddle River, New Jersey Columbus, Ohio*

**TABLE A.1 (SI)**  
Saturation: Temperature (Steam)

Temp. °C T	Press. kPa P	Specific Volume (m <sup>3</sup> /kg)		Internal Energy (kJ/kg)		Enthalpy (kJ/kg)		Entropy (kJ/kg · °K)				
		Sat. Liquid $v_f$	Sat. Vapor $v_g$	Sat. Liquid $u_f$	Evap. $u_{fg}$	Sat. Vapor $u_g$	Sat. Liquid $h_f$	Evap. $h_{fg}$	Sat. Vapor $h_g$	Sat. Liquid $s_f$	Evap. $s_{fg}$	Sat. Vapor $s_g$
0.01	0.6113	0.001 000	206.14	.00	2375.3	2375.3	.01	2501.3	2501.4	.0000	9.1562	9.1562
5	0.8721	0.001 000	147.12	20.97	2361.3	2382.3	20.98	2489.6	2510.6	.0761	8.9496	9.0257
10	1.2276	0.001 000	106.38	42.00	2347.2	2389.2	42.01	2477.7	2519.8	.1510	8.7498	8.9008
15	1.7051	0.001 001	77.93	62.99	2333.1	2396.1	62.99	2465.9	2528.9	.2245	8.5569	8.7814
20	2.339	0.001 002	57.79	83.95	2319.0	2402.9	83.96	2454.1	2538.1	.2966	8.3706	8.6672
25	3.169	0.001 003	43.36	104.88	2304.9	2409.8	104.89	2442.3	2547.2	.3674	8.1905	8.5580
30	4.246	0.001 004	32.89	125.78	2290.8	2416.6	125.79	2430.5	2556.3	.4369	8.0164	8.4533
35	5.628	0.001 006	25.22	146.67	2276.7	2423.4	146.68	2418.6	2565.3	.5053	7.8478	8.3531
40	7.384	0.001 008	19.52	167.56	2262.6	2430.1	167.57	2406.7	2574.3	.5725	7.6845	8.2570
45	9.593	0.001 010	15.26	188.44	2248.4	2436.8	188.45	2394.8	2583.2	.6387	7.5261	8.1648
50	12.349	0.001 012	12.03	209.32	2234.2	2443.5	209.33	2382.7	2592.1	.7038	7.3725	8.0763
55	15.758	0.001 015	9.568	230.21	2219.9	2450.1	230.23	2370.7	2600.9	.7679	7.2234	7.9913
60	19.940	0.001 017	7.671	251.11	2205.5	2456.6	251.13	2358.5	2609.6	.8312	7.0784	7.9096
65	25.03	0.001 020	6.197	272.02	2191.1	2463.1	272.06	2346.2	2618.3	.8935	6.9375	7.8310
70	31.19	0.001 023	5.042	292.95	2176.6	2469.6	292.98	2333.8	2626.8	.9549	6.8004	7.7553
75	38.58	0.001 026	4.131	313.90	2162.0	2475.9	313.93	2321.4	2635.3	1.0155	6.6669	7.6824
80	47.39	0.001 029	3.407	334.86	2147.4	2482.2	334.91	2308.8	2643.7	1.0753	6.5369	7.6122
85	57.83	0.001 033	2.828	355.84	2132.6	2488.4	355.90	2296.0	2651.9	1.1343	6.4102	7.5445
90	70.14	0.001 036	2.361	376.85	2117.7	2494.5	376.92	2283.2	2660.1	1.1925	6.2866	7.4791
95	84.55	0.001 040	1.982	397.88	2102.7	2500.6	397.96	2270.2	2668.1	1.2500	6.1659	7.4159

TABLE A.1 (SI) (cont'd.)

Temp. °C <i>T</i>	Press. kPa <i>P</i>	Specific Volume (m <sup>3</sup> /kg)				Internal Energy (kJ/kg)				Enthalpy (kJ/kg)				Entropy (kJ/kg · °K)			
		Sat. Liquid		Sat. Vapor		Sat. Liquid		Sat. Vapor		Sat. Liquid		Sat. Vapor		Sat. Liquid		Sat. Vapor	
		<i>v<sub>f</sub></i>	<i>v<sub>g</sub></i>	<i>u<sub>f</sub></i>	<i>u<sub>g</sub></i>	<i>h<sub>f</sub></i>	<i>h<sub>g</sub></i>	<i>u<sub>f</sub></i>	<i>u<sub>g</sub></i>	<i>h<sub>f</sub></i>	<i>h<sub>g</sub></i>	<i>s<sub>f</sub></i>	<i>s<sub>g</sub></i>	<i>s<sub>f</sub></i>	<i>s<sub>g</sub></i>	<i>s<sub>f</sub></i>	<i>s<sub>g</sub></i>
		MPa															
100	0.101 35	0.001 044	1.6729	418.94	2087.6	2506.5	419.04	2257.0	2676.1	1.3069	6.0480	7.3549					
105	0.120 82	0.001 048	1.4194	440.02	2072.3	2512.4	440.15	2243.7	2683.8	1.3630	5.9328	7.2958					
110	0.143 27	0.001 052	1.2102	461.14	2057.0	2518.1	461.30	2230.2	2691.5	1.4185	5.8202	7.2387					
115	0.169 06	0.001 056	1.0366	482.30	2041.4	2523.7	482.48	2216.5	2699.0	1.4734	5.7100	7.1833					
120	0.198 53	0.001 060	0.8919	503.50	2025.8	2529.3	503.71	2202.6	2706.3	1.5276	5.6020	7.1296					
125	0.2321	0.001 065	0.7706	524.74	2009.9	2534.6	524.99	2188.5	2713.5	1.5813	5.4962	7.0775					
130	0.2701	0.001 070	0.6685	546.02	1993.9	2539.9	546.31	2174.2	2720.5	1.6344	5.3925	7.0269					
135	0.3130	0.001 075	0.5822	567.35	1977.7	2545.0	567.69	2159.6	2727.3	1.6870	5.2907	6.9777					
140	0.3613	0.001 080	0.5089	588.74	1961.3	2550.0	589.13	2144.7	2733.9	1.7391	5.1908	6.9299					
145	0.4154	0.001 085	0.4463	610.18	1944.7	2554.9	610.63	2129.6	2740.3	1.7907	5.0926	6.8833					
150	0.4758	0.001 091	0.3928	631.68	1927.9	2559.5	632.20	2114.3	2746.5	1.8418	4.9960	6.8379					
155	0.5431	0.001 096	0.3468	653.24	1910.8	2564.1	653.84	2098.6	2752.4	1.8925	4.9010	6.7935					
160	0.6178	0.001 102	0.3071	674.87	1893.5	2568.4	675.55	2082.6	2758.1	1.9427	4.8075	6.7502					
165	0.7005	0.001 108	0.2727	696.56	1876.0	2572.5	697.34	2066.2	2763.5	1.9925	4.7153	6.7078					
170	0.7917	0.001 114	0.2428	718.33	1858.1	2576.5	719.21	2049.5	2768.7	2.0419	4.6244	6.6663					
175	0.8920	0.001 121	0.2168	740.17	1840.0	2580.2	741.17	2032.4	2773.6	2.0909	4.5347	6.6256					
180	1.0021	0.001 127	0.194 05	762.09	1821.6	2583.7	763.22	2015.0	2778.2	2.1396	4.4461	6.5857					
185	1.1227	0.001 134	0.174 09	784.10	1802.9	2587.0	785.37	1997.1	2782.4	2.1879	4.3586	6.5465					
190	1.2544	0.001 141	0.156 54	806.19	1783.8	2590.0	807.62	1978.8	2786.4	2.2359	4.2720	6.5079					
195	1.3978	0.001 149	0.141 05	828.37	1764.4	2592.8	829.98	1960.0	2790.0	2.2835	4.1863	6.4698					
200	1.5538	0.001 157	0.127 36	850.65	1744.7	2595.3	852.45	1940.7	2793.2	2.3309	4.1014	6.4323					
205	1.7230	0.001 164	0.115 21	873.04	1724.5	2597.5	875.04	1921.0	2796.0	2.3780	4.0172	6.3952					
210	1.9062	0.001 173	0.104 41	895.53	1703.9	2599.5	897.76	1900.7	2798.5	2.4248	3.9337	6.3585					
215	2.104	0.001 181	0.094 79	918.14	1682.9	2601.1	920.62	1879.9	2800.5	2.4714	3.8507	6.3221					
220	2.318	0.001 190	0.086 19	940.87	1661.5	2602.4	943.62	1858.5	2802.1	2.5178	3.7683	6.2861					
225	2.548	0.001 199	0.078 49	963.73	1639.6	2603.3	966.78	1836.5	2803.3	2.5639	3.6863	6.2503					
230	2.795	0.001 209	0.071 58	986.74	1617.2	2603.9	990.12	1813.8	2804.0	2.6099	3.6047	6.2146					
235	3.060	0.001 219	0.065 37	1009.89	1594.2	2604.1	1013.62	1790.5	2804.2	2.6558	3.5233	6.1791					
240	3.344	0.001 229	0.059 76	1033.21	1570.8	2604.0	1037.32	1766.5	2803.8	2.7015	3.4422	6.1437					
245	3.648	0.001 240	0.054 71	1056.71	1546.7	2603.4	1061.23	1741.7	2803.0	2.7472	3.3612	6.1083					

TABLE A.1 (SI) (cont'd.)

Temp. °C T	Press. MPa P	Specific Volume (m <sup>3</sup> /kg)				Internal Energy (kJ/kg)				Enthalpy (kJ/kg)				Entropy (kJ/kg · °K)			
		Sat. Liquid $v_f$	Sat. Vapor $v_g$	Sat. Liquid $u_f$	Sat. Vapor $u_g$	Evap. $u_{fg}$	Sat. Vapor $u_g$	Sat. Liquid $h_f$	Sat. Vapor $h_g$	Evap. $h_{fg}$	Sat. Vapor $h_g$	Sat. Liquid $s_f$	Sat. Vapor $s_g$	Evap. $s_{fg}$	Sat. Vapor $s_g$		
250	3.973	0.001 251	0.050 13	1080.39	2602.4	1522.0	2602.4	1085.36	1716.2	2801.5	2.7927	2.7927	3.2802	6.0730			
255	4.319	0.001 263	0.045 98	1104.28	2600.9	1496.7	2600.9	1109.73	1689.8	2799.5	2.8383	2.8383	3.1992	6.0375			
260	4.688	0.001 276	0.042 21	1128.39	2599.0	1470.6	2599.0	1134.37	1662.5	2796.9	2.8838	2.8838	3.1181	6.0019			
265	5.081	0.001 289	0.038 77	1152.74	2596.6	1443.9	2596.6	1159.28	1634.4	2793.6	2.9294	2.9294	3.0368	5.9662			
270	5.499	0.001 302	0.035 64	1177.36	2593.7	1416.3	2593.7	1184.51	1605.2	2789.7	2.9751	2.9751	2.9551	5.9301			
275	5.942	0.001 317	0.032 79	1202.25	2590.2	1387.9	2590.2	1210.07	1574.9	2785.0	3.0208	3.0208	2.8730	5.8938			
280	6.412	0.001 332	0.030 17	1227.46	2586.1	1358.7	2586.1	1235.99	1543.6	2779.6	3.0668	3.0668	2.7903	5.8571			
285	6.909	0.001 348	0.027 77	1253.00	2581.4	1328.4	2581.4	1262.31	1511.0	2773.3	3.1130	3.1130	2.7070	5.8199			
290	7.436	0.001 366	0.025 57	1278.92	2576.0	1297.1	2576.0	1289.07	1477.1	2766.2	3.1594	3.1594	2.6227	5.7821			
295	7.993	0.001 384	0.023 54	1305.2	2569.9	1264.7	2569.9	1316.3	1441.8	2758.1	3.2062	3.2062	2.5375	5.7437			
300	8.581	0.001 404	0.021 67	1332.0	2563.0	1231.0	2563.0	1344.0	1404.9	2749.0	3.2534	3.2534	2.4511	5.7045			
305	9.202	0.001 425	0.019 948	1359.3	2555.2	1195.9	2555.2	1372.4	1366.4	2738.7	3.3010	3.3010	2.3633	5.6643			
310	9.856	0.001 447	0.018 350	1387.1	2546.4	1159.4	2546.4	1401.3	1326.0	2727.3	3.3493	3.3493	2.2737	5.6230			
315	10.547	0.001 472	0.016 867	1415.5	2536.6	1121.1	2536.6	1431.0	1283.5	2714.5	3.3982	3.3982	2.1821	5.5804			
320	11.274	0.001 499	0.015 488	1444.6	2525.5	1080.9	2525.5	1461.5	1238.6	2700.1	3.4480	3.4480	2.0882	5.5362			
330	12.845	0.001 561	0.012 996	1505.3	2498.9	993.7	2498.9	1525.3	1140.6	2665.9	3.5507	3.5507	1.8909	5.4417			
340	14.586	0.001 638	0.010 797	1570.3	2464.6	894.3	2464.6	1594.2	1027.9	2622.0	3.6594	3.6594	1.6763	5.3357			
350	16.513	0.001 740	0.008 813	1641.9	2418.4	776.6	2418.4	1670.6	893.4	2563.9	3.7777	3.7777	1.4335	5.2112			
360	18.651	0.001 893	0.006 945	1725.2	2351.5	626.3	2351.5	1760.5	720.5	2481.0	3.9147	3.9147	1.1379	5.0526			
370	21.03	0.002 213	0.004 925	1844.0	2228.5	384.5	2228.5	1890.5	441.6	2332.1	4.1106	4.1106	.6865	4.7971			
374.14	22.09	0.003 155	0.003 155	2029.6	0	0	2029.6	2099.3	0	2099.3	4.4298	4.4298	0	4.4298			

TABLE A.2 (SI)

Saturation Pressures (Steam)

Press. kPa <i>P</i>	Temp. °C <i>T</i>	Specific Volume (m <sup>3</sup> /kg)		Internal Energy (kJ/kg)		Enthalpy (kJ/kg)		Entropy (kJ/kg · °K)				
		Sat. Liquid <i>v<sub>f</sub></i>	Sat. Vapor <i>v<sub>g</sub></i>	Sat. Liquid <i>u<sub>f</sub></i>	Evap. <i>u<sub>fg</sub></i>	Sat. Vapor <i>u<sub>g</sub></i>	Sat. Liquid <i>h<sub>f</sub></i>	Evap. <i>h<sub>fg</sub></i>	Sat. Vapor <i>h<sub>g</sub></i>	Sat. Liquid <i>s<sub>f</sub></i>	Evap. <i>s<sub>fg</sub></i>	Sat. Vapor <i>s<sub>g</sub></i>
0.6113	0.01	0.001 000	206.14	.00	2375.3	2375.3	.01	2501.3	2501.4	.0000	9.1562	9.1562
1.0	6.98	0.001 000	129.21	29.30	2355.7	2385.0	29.30	2484.9	2514.2	.1059	8.8697	8.9756
1.5	13.03	0.001 001	87.98	54.71	2338.6	2393.3	54.71	2470.6	2525.3	.1957	8.6322	8.8279
2.0	17.50	0.001 001	67.00	73.48	2326.0	2399.5	73.48	2460.0	2533.5	.2607	8.4629	8.7237
2.5	21.08	0.001 002	54.25	88.48	2315.9	2404.4	88.49	2451.6	2540.0	.3120	8.3311	8.6432
3.0	24.08	0.001 003	45.67	101.04	2307.5	2408.5	101.05	2444.5	2545.5	.3545	8.2231	8.5776
4.0	28.96	0.001 004	34.80	121.45	2293.7	2415.2	121.46	2432.9	2554.4	.4226	8.0520	8.4746
5.0	32.88	0.001 005	28.19	137.81	2282.7	2420.5	137.82	2423.7	2561.5	.4764	7.9187	8.3951
7.5	40.29	0.001 008	19.24	168.78	2261.7	2430.5	168.79	2406.0	2574.8	.5764	7.6750	8.2515
10	45.81	0.001 010	14.67	191.82	2246.1	2437.9	191.83	2392.8	2584.7	.6493	7.5009	8.1502
15	53.97	0.001 014	10.02	225.92	2222.8	2448.7	225.94	2373.1	2599.1	.7549	7.2536	8.0085
20	60.06	0.001 017	7.649	251.38	2205.4	2456.7	251.40	2358.3	2609.7	.8320	7.0766	7.9085
25	64.97	0.001 020	6.204	271.90	2191.2	2463.1	271.93	2346.3	2618.2	.8931	6.9383	7.8314
30	69.10	0.001 022	5.229	289.20	2179.2	2468.4	289.23	2336.1	2625.3	.9439	6.8247	7.7686
40	75.87	0.001 027	3.993	317.53	2159.5	2477.0	317.58	2319.2	2636.8	1.0259	6.6441	7.6700
50	81.33	0.001 030	3.240	340.44	2143.4	2483.9	340.49	2305.4	2645.9	1.0910	6.5029	7.5939
75	91.78	0.001 037	2.217	384.31	2112.4	2496.7	384.39	2278.6	2663.0	1.2130	6.2434	7.4564
MPa												
0.100	99.63	0.001 043	1.6940	417.36	2088.7	2506.1	417.46	2258.0	2675.5	1.3026	6.0568	7.3594
0.125	105.99	0.001 048	1.3749	444.19	2069.3	2513.5	444.32	2241.0	2685.4	1.3740	5.9104	7.2844
0.150	111.37	0.001 053	1.1593	466.94	2052.7	2519.7	467.11	2226.5	2693.6	1.4336	5.7897	7.2233
0.175	116.06	0.001 057	1.0036	486.80	2038.1	2524.9	486.99	2213.6	2700.6	1.4849	5.6868	7.1717
0.200	120.23	0.001 061	0.8857	504.49	2025.0	2529.5	504.70	2201.9	2706.7	1.5301	5.5970	7.1271
0.225	124.00	0.001 064	0.7933	520.47	2013.1	2533.6	520.72	2191.3	2712.1	1.5706	5.5173	7.0878

TABLE A.2 (SI) (cont'd.)

Press. MPa $P$	Temp. °C $T$	Specific Volume		Internal Energy				Enthalpy				Entropy	
		Sat. Liquid $v_f$	Sat. Vapor $v_g$	Sat. Liquid $u_f$	Evap. $u_{fg}$	Sat. Vapor $u_g$	Sat. Liquid $h_f$	Evap. $h_{fg}$	Sat. Vapor $h_g$	Sat. Liquid $s_f$	Evap. $s_{fg}$	Sat. Vapor $s_g$	
0.250	127.44	0.001 067	0.7187	535.10	2002.1	2537.2	535.37	2181.5	2716.9	1.6072	5.4455	7.0527	
0.275	130.60	0.001 070	0.6573	548.59	1991.9	2540.5	548.89	2172.4	2721.3	1.6408	5.3801	7.0209	
0.300	133.55	0.001 073	0.6058	561.15	1982.4	2543.6	561.47	2163.8	2725.3	1.6718	5.3201	6.9919	
0.325	136.30	0.001 076	0.5620	572.90	1973.5	2546.4	573.25	2155.8	2729.0	1.7006	5.2646	6.9652	
0.350	138.88	0.001 079	0.5243	583.95	1965.0	2548.9	584.33	2148.1	2732.4	1.7275	5.2130	6.9405	
0.375	141.32	0.001 081	0.4914	594.40	1956.9	2551.3	594.81	2140.8	2735.6	1.7528	5.1647	6.9175	
0.40	143.63	0.001 084	0.4625	604.31	1949.3	2553.6	604.74	2133.8	2738.6	1.7766	5.1193	6.8959	
0.45	147.93	0.001 088	0.4140	622.77	1934.9	2557.6	623.25	2120.7	2743.9	1.8207	5.0359	6.8565	
0.50	151.86	0.001 093	0.3749	639.68	1921.6	2561.2	640.23	2108.5	2748.7	1.8607	4.9606	6.8213	
0.55	155.48	0.001 097	0.3427	655.32	1909.2	2564.5	655.93	2097.0	2753.0	1.8973	4.8920	6.7893	
0.60	158.85	0.001 101	0.3157	669.90	1897.5	2567.4	670.56	2086.3	2756.8	1.9312	4.8288	6.7600	
0.65	162.01	0.001 104	0.2927	683.56	1886.5	2570.1	684.28	2076.0	2760.3	1.9627	4.7703	6.7331	
0.70	164.97	0.001 108	0.2729	696.44	1876.1	2572.5	697.22	2066.3	2763.5	1.9922	4.7158	6.7080	
0.75	167.78	0.001 112	0.2556	708.64	1866.1	2574.7	709.47	2057.0	2766.4	2.0200	4.6647	6.6847	
0.80	170.43	0.001 115	0.2404	720.22	1856.6	2576.8	721.11	2048.0	2769.1	2.0462	4.6166	6.6628	
0.85	172.96	0.001 118	0.2270	731.27	1847.4	2578.7	732.22	2039.4	2771.6	2.0710	4.5711	6.6421	
0.90	175.38	0.001 121	0.2150	741.83	1838.6	2580.5	742.83	2031.1	2773.9	2.0946	4.5280	6.6226	
0.95	177.69	0.001 124	0.2042	751.95	1830.2	2582.1	753.02	2023.1	2776.1	2.1172	4.4869	6.6041	
1.00	179.91	0.001 127	0.194 44	761.68	1822.0	2583.6	762.81	2015.3	2778.1	2.1387	4.4478	6.5865	
1.10	184.09	0.001 133	0.177 53	780.09	1806.3	2586.4	781.34	2000.4	2781.7	2.1792	4.3744	6.5536	
1.20	187.99	0.001 139	0.163 33	797.29	1791.5	2588.8	798.65	1986.2	2784.8	2.2166	4.3067	6.5233	
1.30	191.64	0.001 144	0.151 25	813.44	1777.5	2591.0	814.93	1972.7	2787.6	2.2515	4.2438	6.4953	
1.40	195.07	0.001 149	0.140 84	828.70	1764.1	2592.8	830.30	1959.7	2790.0	2.2842	4.1850	6.4693	

TABLE A.2 (SI) (cont'd.)

Press. MPa <i>P</i>	Temp. °C <i>T</i>	Specific Volume (m <sup>3</sup> /kg)						Internal Energy (kJ/kg)						Enthalpy (kJ/kg)						Entropy (kJ/kg · °K)					
		Sat. Liquid		Sat. Vapor		Sat. Liquid		Sat. Vapor		Sat. Liquid		Sat. Vapor		Sat. Liquid		Sat. Vapor		Sat. Liquid		Sat. Vapor					
		<i>v<sub>f</sub></i>	<i>v<sub>g</sub></i>	<i>u<sub>f</sub></i>	<i>u<sub>g</sub></i>	<i>h<sub>f</sub></i>	<i>h<sub>g</sub></i>	<i>v<sub>f</sub></i>	<i>v<sub>g</sub></i>	<i>u<sub>f</sub></i>	<i>u<sub>g</sub></i>	<i>h<sub>f</sub></i>	<i>h<sub>g</sub></i>	<i>s<sub>f</sub></i>	<i>s<sub>g</sub></i>	<i>v<sub>f</sub></i>	<i>v<sub>g</sub></i>	<i>u<sub>f</sub></i>	<i>u<sub>g</sub></i>	<i>h<sub>f</sub></i>	<i>h<sub>g</sub></i>	<i>s<sub>f</sub></i>	<i>s<sub>g</sub></i>		
1.50	198.32	0.001 154	0.131 77	843.16	1751.3	2594.5	2594.5	844.89	1947.3	2792.2	2792.2	2.3150	4.1298	6.4448											
1.75	205.76	0.001 166	0.113 49	876.46	1721.4	2597.8	2597.8	878.50	1917.9	2796.4	2796.4	2.3851	4.0044	6.3896											
2.00	212.42	0.001 177	0.099 63	906.44	1693.8	2600.3	2600.3	908.79	1890.7	2799.5	2799.5	2.4474	3.8935	6.3409											
2.25	218.45	0.001 187	0.088 75	933.83	1668.2	2602.0	2602.0	936.49	1865.2	2801.7	2801.7	2.5035	3.7937	6.2972											
2.5	223.99	0.001 197	0.079 98	959.11	1644.0	2603.1	2603.1	962.11	1841.0	2803.1	2803.1	2.5547	3.7028	6.2575											
3.0	233.90	0.001 217	0.066 68	1004.78	1599.3	2604.1	2604.1	1008.42	1795.7	2804.2	2804.2	2.6457	3.5412	6.1869											
3.5	242.60	0.001 235	0.057 07	1045.43	1558.3	2603.7	2603.7	1049.75	1753.7	2803.4	2803.4	2.7253	3.4000	6.1253											
4	250.40	0.001 252	0.049 78	1082.31	1520.0	2602.3	2602.3	1087.31	1714.1	2801.4	2801.4	2.7964	3.2737	6.0701											
5	263.99	0.001 286	0.039 44	1147.81	1449.3	2597.1	2597.1	1154.23	1640.1	2794.3	2794.3	2.9202	3.0532	5.9734											
6	275.64	0.001 319	0.032 44	1205.44	1384.3	2589.7	2589.7	1213.35	1571.0	2784.3	2784.3	3.0267	2.8625	5.8892											
7	285.88	0.001 351	0.027 37	1257.55	1323.0	2580.5	2580.5	1267.00	1505.1	2772.1	2772.1	3.1211	2.6922	5.8133											
8	295.06	0.001 384	0.023 52	1305.57	1264.2	2569.8	2569.8	1316.64	1441.3	2758.0	2758.0	3.2068	2.5364	5.7432											
9	303.40	0.001 418	0.020 48	1350.51	1207.3	2557.8	2557.8	1363.26	1378.9	2742.1	2742.1	3.2858	2.3915	5.6772											
10	311.06	0.001 452	0.018 026	1393.04	1151.4	2544.4	2544.4	1407.56	1317.1	2724.7	2724.7	3.3596	2.2544	5.6141											
11	318.15	0.001 489	0.015 987	1433.7	1096.0	2529.8	2529.8	1450.1	1255.5	2705.6	2705.6	3.4295	2.1293	5.5527											
12	324.75	0.001 527	0.014 263	1473.0	1040.7	2513.7	2513.7	1491.3	1193.6	2684.9	2684.9	3.4962	1.9962	5.4924											
13	330.93	0.001 567	0.012 780	1511.1	985.0	2496.1	2496.1	1531.5	1130.7	2662.2	2662.2	3.5606	1.8718	5.4323											
14	336.75	0.001 611	0.011 485	1548.6	928.2	2476.8	2476.8	1571.1	1066.5	2637.6	2637.6	3.6232	1.7485	5.3717											
15	342.24	0.001 658	0.010 337	1585.6	869.8	2455.5	2455.5	1610.5	1000.0	2610.5	2610.5	3.6848	1.6249	5.3098											
16	347.44	0.001 711	0.009 306	1622.7	809.0	2431.7	2431.7	1650.1	930.6	2580.6	2580.6	3.7461	1.4994	5.2455											
17	352.37	0.001 770	0.008 364	1660.2	744.8	2405.0	2405.0	1690.3	856.9	2547.2	2547.2	3.8079	1.3698	5.1777											
18	357.06	0.001 840	0.007 489	1698.9	675.4	2374.3	2374.3	1732.0	777.1	2509.1	2509.1	3.8715	1.2329	5.1044											
19	361.54	0.001 924	0.006 657	1739.9	598.1	2338.1	2338.1	1776.5	688.0	2464.5	2464.5	3.9388	1.0839	5.0228											
20	365.81	0.002 036	0.005 834	1785.6	507.5	2293.0	2293.0	1826.3	583.4	2409.7	2409.7	4.0139	.9130	4.9269											
21	369.89	0.002 207	0.004 952	1842.1	388.5	2230.6	2230.6	1888.4	446.2	2334.6	2334.6	4.1075	.6938	4.8013											
22	373.80	0.002 742	0.003 568	1961.9	125.2	2087.1	2087.1	2022.2	143.4	2165.6	2165.6	4.3110	.2216	4.5327											
22.09	374.14	0.003 155	0.003 155	2029.6	0	2029.6	2029.6	2099.3	0	2099.3	2099.3	4.4298	0	4.4298											

TABLE A.3 (SI)  
Properties of Superheated Steam

T	P = .010 MPa (45.81)					P = .050 MPa (81.33)					P = .10 MPa (99.63)				
	v	u	h	s		v	u	h	s		v	u	h	s	
Sat.	14.674	2437.9	2584.7	8.1502		3.240	2483.9	2645.9	7.5939		1.6940	2506.1	2675.5	7.3594	
50	14.869	2443.9	2592.6	8.1749											
100	17.196	2515.5	2687.5	8.4479		3.418	2511.6	2682.5	7.6947		1.6958	2506.7	2676.2	7.3614	
150	19.512	2587.9	2783.0	8.6882		3.889	2585.6	2780.1	7.9401		1.9364	2582.8	2776.4	7.6134	
200	21.825	2661.3	2879.5	8.9038		4.356	2659.9	2877.7	8.1580		2.172	2658.1	2875.3	7.8343	
250	24.136	2736.0	2977.3	9.1002		4.820	2735.0	2976.0	8.3556		2.406	2733.7	2974.3	8.0333	
300	26.445	2812.1	3076.5	9.2813		5.284	2811.3	3075.5	8.5373		2.639	2810.4	3074.3	8.2158	
400	31.063	2968.9	3279.6	9.6077		6.209	2968.5	3278.9	8.8642		3.103	2967.9	3278.2	8.5435	
500	35.679	3132.3	3489.1	9.8978		7.134	3132.0	3488.7	9.1546		3.565	3131.6	3488.1	8.8342	
600	40.295	3302.5	3705.4	10.1608		8.057	3302.2	3705.1	9.4178		4.028	3301.9	3704.7	9.0976	
700	44.911	3479.6	3928.7	10.4028		8.981	3479.4	3928.5	9.6599		4.490	3479.2	3928.2	9.3398	
800	49.526	3663.8	4159.0	10.6281		9.904	3663.6	4158.9	9.8852		4.952	3663.5	4158.6	9.5652	
900	54.141	3855.0	4396.4	10.8396		10.828	3854.9	4396.3	10.0967		5.414	3854.8	4396.1	9.7767	
1000	58.757	4053.0	4640.6	11.0393		11.751	4052.9	4640.5	10.2964		5.875	4052.8	4640.3	9.9764	
1100	63.372	4257.5	4891.2	11.2287		12.674	4257.4	4891.1	10.4859		6.337	4257.3	4891.0	10.1659	
1200	67.987	4467.9	5147.8	11.4091		13.597	4467.8	5147.7	10.6662		6.799	4467.7	5147.6	10.3463	
1300	72.602	4683.7	5409.7	11.5811		14.521	4683.6	5409.6	10.8382		7.260	4683.5	5409.5	10.5183	
						P = .30 MPa (133.55)					P = .40 MPa (143.63)				
						v	u	h	s		v	u	h	s	
Sat.	.8857	2529.5	2706.7	7.1272		.6058	2543.6	2725.3	6.9919		.4625	2553.6	2738.6	6.8959	
150	.9596	2576.9	2768.8	7.2795		.6339	2570.8	2761.0	7.0778		.4708	2564.5	2752.8	6.9299	
200	1.0803	2654.4	2870.5	7.5066		.7163	2650.7	2865.6	7.3115		.5342	2646.8	2860.5	7.1706	
250	1.1988	2731.2	2971.0	7.7086		.7964	2728.7	2967.6	7.5166		.5951	2726.1	2964.2	7.3789	
300	1.3162	2808.6	3071.8	7.8926		.8753	2806.7	3069.3	7.7022		.6548	2804.8	3066.8	7.5662	
400	1.5493	2966.7	3276.6	8.2218		1.0315	2965.6	3275.0	8.0330		.7726	2964.4	3273.4	7.8985	



TABLE A.3 (SI) (cont'd.)

T	P = .20 MPa (120.23)				P = .30 MPa (133.55)				P = .40 MPa (143.63)			
	v	u	h	s	v	u	h	s	v	u	h	s
500	1.7814	3130.8	3487.1	8.5133	1.1867	3130.0	3486.0	8.3251	.8893	3129.2	3484.9	8.1913
600	2.013	3301.4	3704.0	8.7770	1.3414	3300.8	3703.2	8.5892	1.0055	3300.2	3702.4	8.4558
700	2.244	3478.8	3927.6	9.0194	1.4957	3478.4	3927.1	8.8319	1.1215	3477.9	3926.5	8.6987
800	2.475	3663.1	4158.2	9.2449	1.6499	3662.9	4157.8	9.0576	1.2372	3662.4	4157.3	8.9244
900	2.706	3854.5	4395.8	9.4566	1.8041	3854.2	4395.4	9.2692	1.3529	3853.9	4395.1	9.1362
1000	2.937	4052.5	4640.0	9.6563	1.9581	4052.3	4639.7	9.4690	1.4685	4052.0	4639.4	9.3360
1100	3.168	4257.0	4890.7	9.8458	2.1121	4256.8	4890.4	9.6585	1.5840	4256.5	4890.2	9.5256
1200	3.399	4467.5	5147.3	10.0262	2.2661	4467.2	5147.1	9.8389	1.6996	4467.0	5146.8	9.7060
1300	3.630	4683.2	5409.3	10.1982	2.4201	4683.0	5409.0	10.0110	1.8151	4682.8	5408.8	9.8780

T	P = .50 MPa (151.86)				P = .60 MPa (158.85)				P = .80 MPa (170.43)			
	v	u	h	s	v	u	h	s	v	u	h	s
Sat.	.3749	2561.2	2748.7	6.8213	.3157	2567.4	2756.8	6.7600	.2404	2576.8	2769.1	6.6628
200	.4249	2642.9	2855.4	7.0592	.3520	2638.9	2850.1	6.9665	.2608	2630.6	2839.3	6.8158
250	.4744	2723.5	2960.7	7.2709	.3938	2720.9	2957.2	7.1816	.2931	2715.5	2950.0	7.0384
300	.5226	2802.9	3064.2	7.4599	.4344	2801.0	3061.6	7.3724	.3241	2797.2	3056.5	7.2328
350	.5701	2882.6	3167.7	7.6329	.4742	2881.2	3165.7	7.5464	.3544	2878.2	3161.7	7.4089
400	.6173	2963.2	3271.9	7.7938	.5137	2962.1	3270.3	7.7079	.3843	2959.7	3267.1	7.5716
500	.7109	3128.4	3483.9	8.0873	.5920	3127.6	3482.8	8.0021	.4433	3126.0	3480.6	7.8673
600	.8041	3299.6	3701.7	7.3522	.6697	3299.1	3700.9	8.2674	.5018	3297.9	3699.4	8.1333
700	.8969	3477.5	3925.9	8.5952	.7472	3477.0	3925.3	8.5107	.5601	3476.2	3924.2	8.3770
800	.9896	3662.1	4156.9	8.8211	.8245	3661.8	4156.5	8.7367	.6181	3661.1	4155.6	8.6033
900	1.0822	3853.6	4394.7	9.0329	.9017	3853.4	4394.4	8.9486	.6761	3852.8	4393.7	8.8153
1000	1.1747	4051.8	4639.1	9.2328	.9788	4051.5	4638.8	9.1485	.7340	4051.0	4638.2	9.0153
1100	1.2672	4256.3	4889.9	9.4224	1.0559	4256.1	4889.6	9.3381	.7919	4255.6	4889.1	9.2050
1200	1.3596	4466.8	5146.6	9.6029	1.1330	4466.5	5146.3	9.5185	.8497	4466.1	5145.9	9.3855
1300	1.4521	4682.5	5408.6	9.7749	1.2101	4682.3	5408.3	9.6906	.9076	4681.8	5407.9	9.5575

TABLE A.3 (SI) (cont'd.)

T	P = 1.00 MPa (179.91)					P = 1.20 MPa (187.99)					P = 1.40 MPa (195.07)				
	v	u	h	s	s	v	u	h	s	s	v	u	h	s	s
Sat.	.194 44	2583.6	2778.1	6.5865		.163 33	2588.8	2784.8	6.5233		.140 84	2592.8	2790.0	6.4693	
200	.2060	2621.9	2827.9	6.6940		.169 30	2612.8	2815.9	6.5898		.143 02	2603.1	2803.3	6.4975	
250	.2327	2709.9	2942.6	6.9247		.192 34	2704.2	2935.0	6.8294		.163 50	2698.3	2927.2	6.7467	
300	.2579	2793.2	3051.2	7.1229		.2138	2789.2	3045.8	7.0317		.182 28	2785.2	3040.4	6.9534	
350	.2825	2875.2	3157.7	7.3011		.2345	2872.2	3153.6	7.2121		.2003	2869.2	3149.5	7.1360	
400	.3066	2957.3	3263.9	7.4651		.2548	2954.9	3260.7	7.3774		.2178	2952.5	3257.5	7.3026	
500	.3541	3124.4	3478.5	7.7622		.2946	3122.8	3476.3	7.6759		.2521	3121.1	3474.1	7.6027	
600	.4011	3296.8	3697.9	8.0290		.3339	3295.6	3696.3	7.9435		.2860	3294.4	3694.8	7.8710	
700	.4478	3475.3	3923.1	8.2731		.3729	3474.4	3922.0	8.1881		.3195	3473.6	3920.8	8.1160	
800	.4943	3660.4	4154.7	8.4996		.4118	3659.7	4153.8	8.4148		.3528	3659.0	4153.0	8.3431	
900	.5407	3852.2	4392.9	8.7118		.4505	3851.6	4392.2	8.6272		.3861	3851.1	4391.5	8.5556	
1000	.5871	4050.5	4637.6	8.9119		.4892	4050.0	4637.0	8.8274		.4192	4049.5	4636.4	8.7559	
1100	.6335	4255.1	4888.6	9.1017		.5278	4254.6	4888.0	9.0172		.4524	4254.1	4887.5	8.9457	
1200	.6798	4465.6	5145.4	9.2822		.5665	4465.1	5144.9	9.1977		.4855	4464.7	5144.4	9.1262	
1300	.7261	4681.3	5407.4	9.4543		.6051	4680.9	5407.0	9.3698		.5186	4680.4	5406.5	9.2984	
P = 1.60 MPa (201.41)															
Sat.	.123 80	2596.0	2794.0	6.4218		.110 42	2598.4	2797.1	6.3794		.099 63	2600.3	2799.5	6.3409	
225	.132 87	2644.7	2857.3	6.5518		.116 73	2636.6	2846.7	6.4808		.103 77	2628.3	2835.8	6.4147	
250	.141 84	2692.3	2919.2	6.6732		.124 97	2686.0	2911.0	6.6066		.111 44	2679.6	2902.5	6.5453	
300	.158 62	2781.1	3034.8	6.8844		.140 21	2776.9	3029.2	6.8226		.125 47	2772.6	3023.5	6.7664	
350	.174 56	2866.1	3145.4	7.0694		.154 57	2863.0	3141.2	7.0100		.138 57	2859.8	3137.0	6.9563	
400	.190 05	2950.1	3254.2	7.2374		.168 47	2947.7	3250.9	7.1794		.151 20	2945.2	3247.6	7.1271	
500	.2203	3119.5	3472.0	7.5390		.195 50	3117.9	3469.8	7.4825		.175 68	3116.2	3467.6	7.4317	
600	.2500	3293.3	3693.2	7.8080		.2220	3292.1	3691.7	7.7523		.199 60	3290.9	3690.1	7.7024	
700	.2794	3472.7	3919.7	8.0535		.2482	3471.8	3918.5	7.9983		.2232	3470.9	3917.4	7.9487	
P = 2.00 MPa (212.42)															

TABLE A.3 (SI) (cont'd.)

T	P = 1.60 MPa (201.41)					P = 1.80 MPa (207.15)					P = 2.00 MPa (212.42)				
	v	u	h	s		v	u	h	s		v	u	h	s	
800	.3086	3658.3	4152.1	8.2808		.2742	3657.6	4151.2	8.2258		.2467	3657.0	4150.3	8.1765	
900	.3977	3850.5	4390.8	8.4935		.3001	3849.9	4390.1	8.4386		.2700	3849.3	4389.4	8.3895	
1000	.3668	4049.0	4635.8	8.6938		.3260	4048.5	4635.2	8.6391		.2933	4048.0	4634.6	8.5901	
1100	.3958	4253.7	4887.0	8.8837		.3518	4253.2	4886.4	8.8290		.3166	4252.7	4885.9	8.7800	
1200	.4248	4464.2	5143.9	9.0643		.3776	4463.7	5143.4	9.0096		.3398	4463.3	5142.9	8.9607	
1300	.4538	4679.9	5406.0	9.2364		.4034	4679.5	5405.6	9.1818		.3631	4679.0	5405.1	9.1329	
P = 2.50 MPa (223.99)															
Sat.	.079 98	2603.1	2803.1	6.2575		.066 68	2604.1	2804.2	6.1869		.057 07	2603.7	2803.4	6.1253	
225	.080 27	2605.6	2806.3	6.2639											
250	.087 00	2662.6	2880.1	6.4085		.070 58	2644.0	2855.8	6.2872		.058 72	2623.7	2829.2	6.1749	
300	.098 90	2761.6	3008.8	6.6438		.081 14	2750.1	2993.5	6.5390		.068 42	2738.0	2977.5	6.4461	
350	.109 76	2851.9	3126.3	6.8403		.090 53	2843.7	3115.3	6.7428		.076 78	2835.3	3104.0	6.6579	
400	.120 10	2939.1	3239.3	7.0148		.099 36	2932.8	3230.9	6.9212		.084 53	2926.4	3222.3	6.8405	
450	.130 14	3025.5	3350.8	7.1746		.107 87	3020.4	3344.0	7.0834		.091 96	3015.3	3337.2	7.0052	
500	.139 98	3112.1	3462.1	7.3234		.116 19	3108.0	3456.5	7.2338		.099 18	3103.0	3450.9	7.1572	
600	.159 30	3288.0	3686.3	7.5960		.132 43	3285.0	3682.3	7.5085		.113 24	3282.1	3678.4	7.4339	
700	.178 32	3468.7	3914.5	7.8435		.148 38	3466.5	3911.7	7.7571		.126 99	3464.3	3908.8	7.6837	
800	.197 16	3655.3	4148.2	8.0720		.164 14	3653.5	4145.9	7.9862		.140 56	3651.8	4143.7	7.9134	
900	.215 90	3847.9	4387.6	8.2853		.179 80	3846.5	4385.9	8.1999		.154 02	3845.0	4384.1	8.1276	
1000	.2346	4046.7	4633.1	8.4861		.195 41	4045.4	4631.6	8.4009		.167 43	4044.1	4630.1	8.3288	
1100	.2532	4251.5	4884.6	8.6762		.210 98	4250.3	4883.3	8.5912		.180 80	4249.2	4881.9	8.5192	
1200	.2718	4462.1	5141.7	8.8569		.226 52	4460.9	5140.5	8.7720		.194 15	4459.8	5139.3	8.7000	
1300	.2905	4677.8	5404.0	9.0291		.242 06	4676.6	5402.8	8.9442		.207 49	4675.5	5401.7	8.8723	

TABLE A.3 (SI) (cont'd.)

T	P = 4.0 MPa (250.40)					P = 4.5 MPa (257.49)					P = 5.0 MPa (263.99)				
	v	u	h	s	s	v	u	h	s	s	v	u	h	s	s
Sat.	.049 78	2602.3	2801.4	6.0701	6.0198	.044 06	2600.1	2798.3	6.0198	6.0198	.039 44	2597.1	2794.3	5.9734	5.9734
275	.054 57	2667.9	2886.2	6.2285	6.1401	.047 30	2650.3	2863.2	6.1401	6.1401	.041 41	2631.3	2838.3	6.0544	6.0544
300	.058 84	2725.3	2960.7	6.3615	6.2828	.051 35	2712.0	2943.1	6.2828	6.2828	.045 32	2698.0	2924.5	6.2084	6.2084
350	.066 45	2826.7	3092.5	6.5821	6.5131	.058 40	2817.8	3080.6	6.5131	6.5131	.051 94	2808.7	3068.4	6.4493	6.4493
400	.073 41	2919.9	3213.6	6.7690	6.7047	.064 75	2913.3	3204.7	6.7047	6.7047	.057 81	2906.6	3195.7	6.6459	6.6459
450	.080 02	3010.2	3330.3	6.9363	6.8746	.070 74	3005.0	3323.3	6.8746	6.8746	.063 30	2999.7	3316.2	6.8186	6.8186
500	.086 43	3099.5	3445.3	7.0901	7.0301	.076 51	3095.3	3439.6	7.0301	7.0301	.068 57	3091.0	3433.8	6.9759	6.9759
600	.098 85	3279.1	3674.4	7.3688	7.3110	.087 65	3276.0	3670.5	7.3110	7.3110	.078 69	3273.0	3666.5	7.2589	7.2589
700	.110 95	3462.1	3905.9	7.6198	7.5631	.098 47	3459.9	3903.0	7.5631	7.5631	.088 49	3457.6	3900.1	7.5122	7.5122
800	.122 87	3650.0	4141.5	7.8502	7.7942	.109 11	3648.3	4139.3	7.7942	7.7942	.098 11	3646.6	4137.1	7.7440	7.7440
900	.134 69	3843.6	4382.3	8.0647	8.0091	.119 65	3842.2	4380.6	8.0091	8.0091	.107 62	3840.7	4378.8	7.9593	7.9593
1000	.146 45	4042.9	4628.7	8.2662	8.2108	.130 13	4041.6	4627.2	8.2108	8.2108	.117 07	4040.4	4625.7	8.1612	8.1612
1100	.158 17	4248.0	4880.6	8.4567	8.4015	.140 56	4246.8	4879.3	8.4015	8.4015	.126 48	4245.6	4878.0	8.3520	8.3520
1200	.169 87	4458.6	5138.1	8.6376	8.5825	.150 98	4457.5	5136.9	8.5825	8.5825	.135 87	4456.3	5135.7	8.5331	8.5331
1300	.181 56	4674.3	5400.5	8.8100	8.7549	.161 39	4673.1	5399.4	8.7549	8.7549	.145 26	4672.0	5398.2	8.7055	8.7055
	P = 6.0 MPa (275.64)					P = 7.0 MPa (285.88)					P = 8.0 MPa (295.06)				
Sat.	.032 44	2589.7	2784.3	5.8892	5.8133	.027 37	2580.5	2772.1	5.8133	5.8133	.023 52	2569.8	2758.0	5.7432	5.7432
300	.036 16	2667.2	2884.2	6.0674	5.9305	.029 47	2632.2	2838.4	5.9305	5.9305	.024 26	2590.9	2785.0	5.7906	5.7906
350	.042 93	2789.6	3043.0	6.3335	6.2283	.035 24	2769.4	3016.0	6.2283	6.2283	.029 95	2747.7	2987.3	6.1301	6.1301
400	.047 39	2892.9	3177.2	6.5408	6.4478	.039 93	2878.6	3158.1	6.4478	6.4478	.034 32	2863.8	3138.3	6.3634	6.3634
450	.052 14	2988.9	3301.8	6.7193	6.6327	.044 16	2978.0	3287.1	6.6327	6.6327	.038 17	2966.7	3272.0	6.5551	6.5551
500	.056 65	3082.2	3422.2	6.8803	6.7975	.048 14	3073.4	3410.3	6.7975	6.7975	.041 75	3064.3	3398.3	6.7240	6.7240
550	.061 01	3174.6	3540.6	7.0288	6.9486	.051 95	3167.2	3530.9	6.9486	6.9486	.045 16	3159.8	3521.0	6.8778	6.8778
600	.065 25	3266.9	3658.4	7.1677	7.0894	.055 65	3260.7	3650.3	7.0894	7.0894	.048 45	3254.4	3642.0	7.0206	7.0206

TABLE A.3 (SI) (cont'd.)

T	P = 6.0 MPa (275.64)					P = 7.0 MPa (285.88)					P = 8.0 MPa (295.06)				
	v	u	h	s	s	v	u	h	s	s	v	u	h	s	s
700	.073 52	3453.1	3894.2	7.4234	7.4234	.062 83	3448.5	3888.3	7.3476	7.3476	.054 81	3443.9	3882.4	7.2812	7.2812
800	.081 60	3643.1	4132.7	7.6566	7.6566	.069 81	3639.5	4128.2	7.5822	7.5822	.060 97	3636.0	4123.8	7.5173	7.5173
900	.089 58	3837.8	4375.3	7.8727	7.8727	.076 69	3835.0	4371.8	7.7991	7.7991	.067 02	3832.1	4368.3	7.7351	7.7351
1000	.097 49	4037.8	4622.7	8.0751	8.0751	.083 50	4035.3	4619.8	8.0020	8.0020	.073 01	4032.8	4616.9	7.9384	7.9384
1100	.105 36	4243.3	4875.4	8.2661	8.2661	.090 27	4240.9	4872.8	8.1933	8.1933	.078 96	4238.6	4870.3	8.1300	8.1300
1200	.113 21	4454.0	5133.3	8.4474	8.4474	.097 03	4451.7	5130.9	8.3747	8.3747	.084 89	4449.5	5128.5	8.3115	8.3115
1300	.121 06	4669.6	5396.0	8.6199	8.6199	.103 77	4667.3	5393.7	8.5473	8.5473	.090 80	4665.0	5391.5	8.4842	8.4842
P = 9.0 MPa (303.40)															
Sat.	.020 48	2557.8	2742.1	5.6772	5.6772	.018 026	2544.4	2724.7	5.6141	5.6141	.013 495	2505.1	2673.8	5.4624	5.4624
325	.023 27	2646.6	2856.0	5.8712	5.8712	.019 861	2610.4	2809.1	5.7568	5.7568	.016 126	2624.6	2826.2	5.7118	5.7118
350	.025 80	2724.4	2956.6	6.0361	6.0361	.022 42	2699.2	2923.4	5.9443	5.9443	.020 00	2789.3	3039.3	6.0417	6.0417
400	.029 93	2848.4	3117.8	6.2854	6.2854	.026 41	2832.4	3096.5	6.2120	6.2120	.022 99	2912.5	3199.8	6.2719	6.2719
450	.033 50	2955.2	3256.6	6.4844	6.4844	.029 75	2943.4	3240.9	6.4190	6.4190	.025 60	3021.7	3341.8	6.4618	6.4618
500	.036 77	3055.2	3386.1	6.6576	6.6576	.032 79	3045.8	3373.7	6.5966	6.5966	.028 01	3125.0	3475.2	6.6290	6.6290
550	.039 87	3152.2	3511.0	6.8142	6.8142	.035 64	3144.6	3500.9	6.7561	6.7561	.030 29	3225.4	3604.0	6.7810	6.7810
600	.042 85	3248.1	3633.7	6.9589	6.9589	.038 37	3241.7	3625.3	6.9029	6.9029	.032 48	3324.4	3730.4	6.9218	6.9218
650	.045 74	3343.6	3755.3	7.0943	7.0943	.041 01	3338.2	3748.2	7.0398	7.0398	.034 60	3422.9	3855.3	7.0536	7.0536
700	.048 57	3439.3	3876.5	7.2221	7.2221	.043 58	3434.7	3870.5	7.1687	7.1687	.038 69	3620.0	4103.6	7.2965	7.2965
800	.054 09	3632.5	4119.3	7.4596	7.4596	.048 59	3628.9	4114.8	7.4077	7.4077	.042 67	3819.1	4352.5	7.5182	7.5182
900	.059 50	3829.2	4364.8	7.6783	7.6783	.053 49	3826.3	4361.2	7.6272	7.6272	.046 58	4021.6	4603.8	7.7237	7.7237
1000	.064 85	4030.3	4614.0	7.8821	7.8821	.058 32	4027.8	4611.0	7.8315	7.8315	.050 45	4228.2	4858.8	7.9165	7.9165
1100	.070 16	4236.3	4867.7	8.0740	8.0740	.063 12	4234.0	4865.1	8.0237	8.0237	.054 30	4439.3	5118.0	8.0987	8.0987
1200	.075 44	4447.2	5126.2	8.2556	8.2556	.067 89	4444.9	5123.8	8.2055	8.2055	.058 13	4654.8	5381.4	8.2717	8.2717
1300	.080 72	4662.7	5389.2	8.4284	8.4284	.072 65	4460.5	5387.0	8.3783	8.3783					

TABLE A.3 (SI) (cont'd.)

T	P = 15.0 MPa (342.24)					P = 17.5 MPa (354.75)					P = 20.0 MPa (365.81)									
	v	u	h	s	s	v	u	h	s	s	v	u	h	s	s					
Sat.	.010 337	2455.5	2610.5	5.3098		.007 920	2390.2	2528.8	5.1419		.005 834	2293.0	2409.7	4.9269						
350	.011 470	2520.4	2692.4	5.4421		.012 447	2685.0	2902.9	5.7213		.009 942	2619.3	2818.1	5.5540						
400	.015 649	2740.7	2975.5	5.8811		.015 174	2844.2	3109.7	6.0184		.012 695	2806.2	3060.1	5.9017						
450	.018 445	2879.5	3156.2	6.1404		.017 358	2970.3	3274.1	6.2383		.014 768	2942.9	3238.2	6.1401						
500	.020 80	2996.6	3308.6	6.3443		.019 288	3083.9	3421.4	6.4230		.016 555	3062.4	3393.5	6.3348						
550	.022 93	3104.7	3448.6	6.5199		.021 06	3191.5	3560.1	6.5866		.018 178	3174.0	3537.6	6.5048						
600	.024 91	3208.6	3582.3	6.6776		.022 74	3296.0	3693.9	6.7357		.019 693	3281.4	3675.3	6.6582						
650	.026 80	3310.3	3712.3	6.8224		.024 34	3398.7	3824.6	6.8736		.021 13	3386.4	3809.0	6.7993						
700	.028 61	3410.9	3840.1	6.9572		.027 38	3601.8	4081.1	7.1244		.023 85	3592.7	4069.7	7.0544						
800	.032 10	3610.9	4092.4	7.2040		.030 31	3804.7	4335.1	7.3507		.026 45	3797.5	4326.4	7.2830						
900	.035 46	3811.9	4343.8	7.4279		.033 16	4009.3	4589.5	7.5589		.028 97	4003.1	4582.5	7.4925						
1000	.038 75	4015.4	4596.6	7.6348		.035 97	4216.9	4846.4	7.7531		.031 45	4211.3	4840.2	7.6874						
1100	.042 00	4222.6	4852.6	7.8283		.038 76	4428.3	5106.6	7.9360		.033 91	4422.8	5101.0	7.8707						
1200	.045 23	4433.8	5112.3	8.0108		.041 54	4643.5	5370.5	8.1093		.036 36	4638.0	5365.1	8.0442						
1300	.048 45	4649.1	5376.0	8.1840																
						P = 25.0 MPa					P = 30.0 MPa					P = 35.0 MPa				
375	.001 973 1	1798.7	1848.0	4.0320		.001 789 2	1737.8	1791.5	3.9305		.001 700 3	1702.9	1762.4	3.8722						
400	.006 004	2430.1	2580.2	5.1418		.002 790	2067.4	2151.1	4.4728		.002 100	1914.1	1987.6	4.2126						
425	.007 881	2609.2	2806.3	5.4723		.005 303	2455.1	2614.2	5.1504		.003 428	2253.4	2373.4	4.7747						
450	.009 162	2720.7	2949.7	5.6744		.006 735	2619.3	2821.4	5.4424		.004 961	2498.7	2672.4	5.1962						
500	.011 123	2884.3	3162.4	5.9592		.008 678	2820.7	3081.1	5.7905		.006 927	2751.9	2994.4	5.6282						
550	.012 724	3017.5	3335.6	6.1765		.010 168	2970.3	3275.4	6.0342		.008 345	2921.0	3213.0	5.9026						
600	.014 137	3137.9	3491.4	6.3602		.011 446	3100.5	3443.9	6.2331		.009 527	3062.0	3395.5	6.1179						
650	.015 433	3251.6	3637.4	6.5229		.012 596	3221.0	3598.9	6.4058		.010 575	3189.8	3559.9	6.3010						

TABLE A.3 (SI) (cont'd.)

T	P = 25.0 MPa					P = 30.0 MPa					P = 35.0 MPa					
	v	u	h	s	v	u	h	s	v	u	h	s	v	u	h	s
700	.016 646	3361.3	3777.5	6.6707	.013 661	3335.8	3745.6	6.5606	.011 533	3309.8	3713.5	6.4631				
800	.018 912	3574.3	4047.1	6.9345	.015 623	3555.5	4024.2	6.8332	.013 278	3536.7	4001.5	6.7450				
900	.021 045	3783.0	4309.1	7.1680	.017 448	3768.5	4291.9	7.0718	.014 883	3754.0	4274.9	6.9886				
1000	.023 10	3990.9	4568.5	7.3802	.019 196	3978.8	4554.7	7.2867	.016 410	3966.7	4541.1	7.2064				
1100	.025 12	4200.2	4828.2	7.5765	.020 903	4189.2	4816.3	7.4845	.017 895	4178.3	4804.6	7.4057				
1200	.027 11	4412.0	5089.9	7.7605	.022 589	4401.3	5079.0	7.6692	.019 360	4390.7	5068.3	7.5910				
1300	.029 10	4626.9	5354.4	7.9342	.024 266	4616.0	5344.0	7.8432	.020 815	4605.1	5333.6	7.7653				
P = 40.0 MPa																
375	.001 640 7	1677.1	1742.8	3.8290	.001 559 4	1638.6	1716.6	3.7639	.001 502 8	1609.4	1699.5	3.7141				
400	.001 907 7	1854.6	1930.9	4.1135	.001 730 9	1788.1	1874.6	4.0031	.001 633 5	1745.4	1843.4	3.9318				
425	.002 532	2096.9	2198.1	4.5029	.002 007	1959.7	2060.0	4.2734	.001 816 5	1892.7	2001.7	4.1626				
450	.003 693	2365.1	2512.8	4.9459	.002 486	2159.6	2284.0	4.5884	.002 085	2053.9	2179.0	4.4121				
500	.005 622	2678.4	2903.3	5.4700	.003 892	2325.5	2720.1	5.1726	.002 956	2390.6	2567.9	4.9321				
550	.006 984	2869.7	3149.1	5.7785	.005 118	2763.6	3019.5	5.5485	.003 956	2658.8	2896.2	5.3441				
600	.008 094	3022.6	3346.4	6.0114	.006 112	2942.0	3247.6	5.8178	.004 834	2861.1	3151.2	5.6452				
650	.009 063	3158.0	3520.6	6.2054	.006 966	3093.5	3441.8	6.0342	.005 595	3028.8	3364.5	5.8829				
700	.009 941	3283.6	3681.2	6.3750	.007 727	3230.5	3616.8	6.2189	.006 272	3177.2	3553.5	6.0824				
800	.011 523	3517.8	3978.7	6.6662	.009 076	3479.8	3933.6	6.5290	.007 459	3441.5	3889.1	6.4109				
900	.012 962	3739.4	4257.9	6.9150	.010 283	3710.3	4224.4	6.7882	.008 508	3681.0	4191.5	6.6805				
1000	.014 324	3954.6	4527.6	7.1356	.011 411	3930.5	4501.1	7.0146	.009 480	3906.4	4475.2	6.9127				
1100	.015 642	4167.4	4793.1	7.3364	.012 496	4145.7	4770.5	7.2184	.010 409	4124.1	4748.6	7.1195				
1200	.016 940	4380.1	5057.7	7.5224	.013 561	4359.1	5037.2	7.4058	.011 317	4338.2	5017.2	7.3083				
1300	.018 229	4594.3	5323.5	7.6969	.014 616	4572.8	5303.6	7.5808	.012 215	4551.4	5284.3	7.4837				

TABLE 4

<i>p</i> ( <i>t</i> Sat.) MPa		Liquid											
		0				2.5 (223.99)				5.0 (263.99)			
<i>t</i>	$10^3 v$	$\mu$	<i>h</i>	<i>s</i>	$10^3 v$	$\mu$	<i>h</i>	<i>s</i>	$10^3 v$	$\mu$	<i>h</i>	<i>s</i>	
Sat.													
0	1.0002	-0.03	-0.03	-0.0001	0.9990	-0.00	2.50	-0.0000	0.9977	0.04	5.04	0.0001	
20	1.0018	83.95	83.95	0.2966	1.0006	83.80	86.30	0.2961	0.9995	83.65	88.65	0.2956	
40	1.0078	167.56	167.56	0.5725	1.0067	167.25	169.77	0.5715	1.0056	166.95	171.97	0.5705	
60	1.0172	251.12	251.12	0.8312	1.0160	250.67	253.21	0.8298	1.0149	250.23	255.30	0.8285	
80	1.1291	334.87	334.87	1.0753	1.0280	334.29	336.86	1.0737	1.0268	333.72	338.85	1.0720	
100	1.0436	418.96	418.96	1.3069	1.0423	418.24	420.85	1.3050	1.0410	417.52	422.72	1.3030	
120	1.0604	503.57	503.57	1.5278	1.0590	502.68	505.33	1.5255	1.0576	501.80	507.09	1.5233	
140	1.0800	588.89	588.89	1.7395	1.0784	587.82	590.52	1.7369	1.0768	586.76	592.15	1.7343	
160	1.1024	675.19	675.19	1.9434	1.1006	673.90	676.65	1.9404	1.0988	672.62	678.12	1.9375	
180	1.1283	762.72	762.72	2.1410	1.1261	761.16	763.97	2.1375	1.1240	759.63	765.25	2.1341	
200	1.1581	851.8	851.8	2.3334	1.1555	849.9	852.8	2.3294	1.1530	848.1	853.9	2.3255	
210	1.1749	897.1	897.1	2.4281	1.1720	895.0	898.0	2.4238	1.1691	893.0	898.8	2.4195	
220	1.1930	943.0	943.0	2.5221	1.1898	940.7	943.7	2.5174	1.1866	938.4	944.4	2.5128	
230	1.2129	989.6	989.6	2.6157	1.2092	987.0	990.1	2.6105	1.2056	984.5	990.6	2.6055	
240	1.2347	1037.1	1037.1	2.7091	1.2305	1034.2	1037.2	2.7034	1.2264	1031.4	1037.5	2.6979	
250	1.2590	1085.6	1085.6	2.8027	1.2540	1082.3	1085.4	2.7964	1.2493	1079.1	1085.3	2.7902	
260	1.2862	1135.4	1135.4	2.8970	1.2804	1131.6	1134.8	2.8898	1.2749	1127.9	1134.3	2.8830	
270	1.3173	1186.8	1186.8	2.9926	1.3102	1182.4	1185.7	2.9844	1.3036	1178.2	1184.3	2.9766	
280	1.3535	1240.4	1240.4	3.0904	1.3447	1235.1	1238.5	3.0808	1.3365	1230.2	1236.8	3.0717	
290	1.3971	1297.0	1297.0	3.1918	1.3855	1290.5	1294.0	3.1801	1.3750	1284.4	1291.3	3.1693	
300	1.4520	1358.1	1358.1	3.2992	1.4357	1349.6	1353.2	3.2843	1.4214	1341.9	1349.0	3.2708	
310									1.4803	1404.1	1411.5	3.3789	

FIGURE 5.11a Extract from subcooled table (SI units).



TABLE A.4 (SI)  
Properties of Compressed Liquid (Steam)

T	P = 5 MPa (263.99)					P = 10 MPa (311.06)					P = 15 MPa (342.24)				
	v	u	h	s		v	u	h	s		v	u	h	s	
Sat.	.001 285 9	1147.8	1154.2	2.9202		.001 452 4	1393.0	1407.6	3.3596		.001 658 1	1585.6	1610.5	3.6848	
0	.000 997 7	.04	5.04	.0001		.000 995 2	.09	10.04	.0002		.000 992 8	.15	15.05	.0004	
20	.000 999 5	83.65	88.65	.2956		.000 997 2	83.36	93.33	.2945		.000 995 0	83.06	97.99	.2934	
40	.001 005 6	166.95	171.97	.5705		.001 003 4	166.35	176.38	.5686		.001 001 3	165.76	180.78	.5666	
60	.001 014 9	250.23	255.30	.8285		.001 012 7	249.36	259.49	.8258		.001 010 5	248.51	263.67	.8232	
80	.001 026 8	333.72	338.85	1.0720		.001 024 5	332.59	342.83	1.0688		.001 022 2	331.48	346.81	1.0656	
100	.001 041 0	417.52	422.72	1.3030		.001 038 5	416.12	426.50	1.2992		.001 036 1	414.74	430.28	1.2955	
120	.001 057 6	501.80	507.09	1.5233		.001 054 9	500.08	510.64	1.5189		.001 052 2	498.40	514.19	1.5145	
140	.001 076 8	586.76	592.15	1.7343		.001 073 7	584.68	595.42	1.7292		.001 070 7	582.66	598.72	1.7242	
160	.001 098 8	672.62	678.12	1.9375		.001 095 3	670.13	681.08	1.9317		.001 091 8	667.71	684.09	1.9260	
180	.001 124 0	759.63	765.25	2.1341		.001 119 9	756.65	767.84	2.1275		.001 115 9	753.76	770.50	2.1210	
200	.001 153 0	848.1	853.9	2.3255		.001 148 0	844.5	856.0	2.3178		.001 143 3	841.0	858.2	2.3104	
220	.001 186 6	938.4	944.4	2.5128		.001 180 5	934.1	945.9	2.5039		.001 174 8	929.9	947.5	2.4953	
240	.001 226 4	1031.4	1037.5	2.6979		.001 218 7	1026.0	1038.1	2.6872		.001 211 4	1020.8	1039.0	2.6771	
260	.001 274 9	1127.9	1134.3	2.8830		.001 264 5	1121.1	1133.7	2.8699		.001 255 0	1114.6	1133.4	2.8576	
280						.001 321 6	1220.9	1234.1	3.0548		.001 308 4	1212.5	1232.1	3.0393	
300						.001 397 2	1328.4	1342.3	3.2469		.001 377 0	1316.6	1337.3	3.2260	
320											.001 472 4	1431.1	1453.2	3.4247	
340											.001 631 1	1567.5	1591.9	3.6546	

TABLE A.4 (SI) (cont'd.)

T	P = 20 MPa (365.81)					P = 30 MPa					P = 50 MPa				
	v	u	h	s	s	v	u	h	s	s	v	u	h	s	s
Sat.	.002 036	1785.6	1826.3	4.0139		.000 985 6	.25	29.82	.0001		.000 976 6	.20	49.03	.0014	
0	.000 990 4	.19	20.01	.0004		.000 988 6	82.17	111.84	.2899		.000 980 4	81.00	130.02	.2848	
20	.000 992 8	82.77	102.62	.2923		.000 995 1	164.04	193.89	.5607		.000 987 2	161.86	211.21	.5527	
40	.000 999 2	165.17	185.16	.5646		.001 004 2	246.06	276.19	.8154		.000 996 2	242.98	292.79	.8052	
60	.001 008 4	247.68	267.85	.8206		.001 015 6	328.30	358.77	1.0561		.001 007 3	324.34	374.70	1.0440	
80	.001 019 9	330.40	350.80	1.0624		.001 029 0	410.78	441.66	1.2844		.001 020 1	405.88	456.89	1.2703	
100	.001 033 7	413.39	434.06	1.2917		.001 044 5	493.59	524.93	1.5018		.001 034 8	487.65	539.39	1.4857	
120	.001 049 6	496.76	517.76	1.5102		.001 062 1	576.88	608.75	1.7098		.001 051 5	569.77	622.35	1.6915	
140	.001 067 8	580.69	602.04	1.7193		.001 082 1	660.82	693.28	1.9096		.001 070 3	652.41	705.92	1.8891	
160	.001 088 5	665.35	687.12	1.9204		.001 104 7	745.59	778.73	2.1024		.001 091 2	735.69	790.25	2.0794	
180	.001 112 0	750.95	773.20	2.1147		.001 130 2	831.4	865.3	2.2893		.001 114 6	819.7	875.5	2.2634	
200	.001 138 8	837.7	860.5	2.3031		.001 159 0	918.3	953.1	2.4711		.001 140 8	904.7	961.7	2.4419	
220	.001 169 3	925.9	949.3	2.4870		.001 192 0	1006.9	1042.6	2.6490		.001 170 2	990.7	1049.2	2.6158	
240	.001 204 6	1016.0	1040.0	2.6674		.001 230 3	1097.4	1134.3	2.8243		.001 203 4	1078.1	1138.2	2.7860	
260	.001 246 2	1108.6	1133.5	2.8459		.001 275 5	1190.7	1229.0	2.9986		.001 241 5	1167.2	1229.3	2.9537	
280	.001 296 5	1204.7	1230.6	3.0248		.001 330 4	1287.9	1327.8	3.1741		.001 286 0	1258.7	1323.0	3.1200	
300	.001 359 6	1306.1	1333.3	3.2071		.001 399 7	1390.7	1432.7	3.3539		.001 338 8	1353.3	1420.2	3.2868	
320	.001 443 7	1415.7	1444.6	3.3979		.001 492 0	1501.7	1546.5	3.5426		.001 403 2	1452.0	1522.1	3.4557	
340	.001 568 4	1539.7	1571.0	3.6075		.001 626 5	1626.6	1675.4	3.7494		.001 483 8	1556.0	1630.2	3.6291	
360	.001 822 6	1702.8	1739.3	3.8772		.001 869 1	1781.4	1837.5	4.0012		.001 588 4	1667.2	1746.6	3.8101	
380															